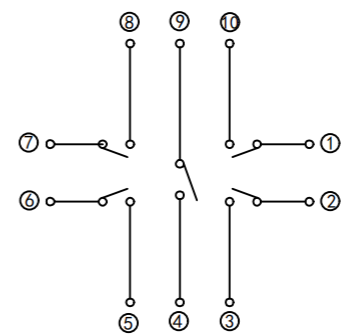
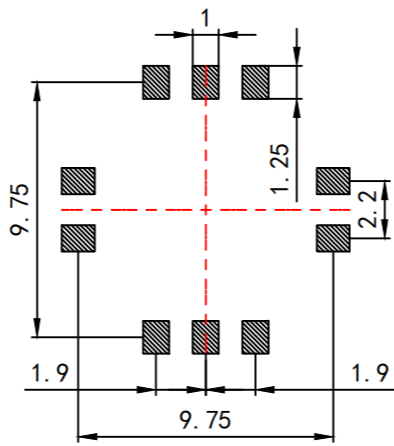
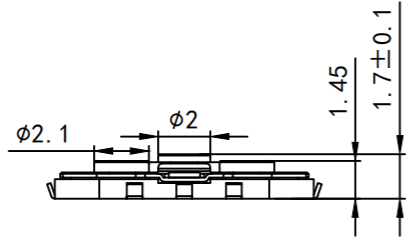
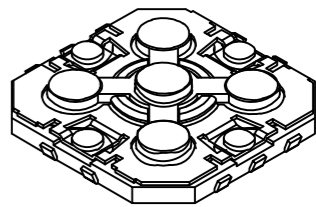
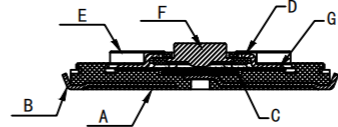
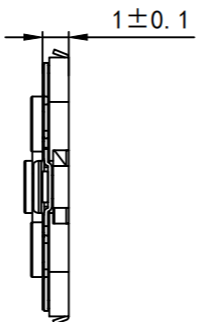
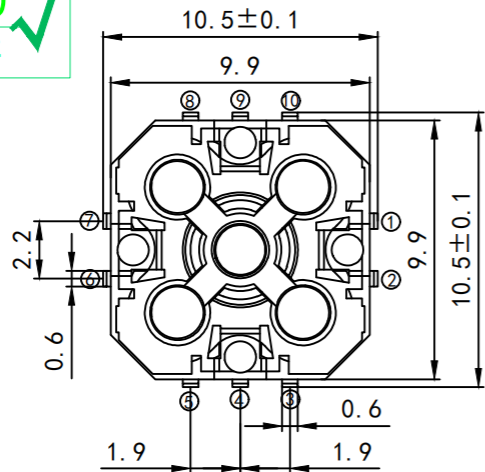


RoHS2.0
Compliant ✓



Technical requirements

1. Rated Current: 0.1A MAX
2. Rated voltage: DC 12V
3. Contact resistance: $\leq 80\text{m}\Omega$
4. Insulation Resistance: $\geq 100\text{M}\Omega$
5. Compressive strength: AC250V 50Hz/1 min
6. Operating force: $180 \pm 50\text{gf}$
7. Mechanical life: 50,000 cycles Min
8. Operation Stroke: $0.2 + 0.05\text{mm}$
9. Temperature Range: $-30^\circ\text{C} \sim +85^\circ\text{C}$

TOLERANCE X. XXX ± 0.05 X. XX ± 0.15 X. X ± 0.20 X. ± 0.30 ANGLE $\pm 5.0^\circ$		东莞市恒祺电子科技有限公司 Dongguan Hengqi Electronic Technology Co., Ltd	
		https://www.hq-dz.com phone: 15812872448	
PROTECTON 	多功能轻触开关		PART NO: 成品图
	DRAWN:	DATE: 18-10-08	UNIT: mm
	CHECKED:	DATE: 18-10-08	SCALE: FULL
APPROVED:	DATE: 18-10-08	SIZE: A4	