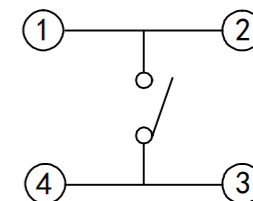
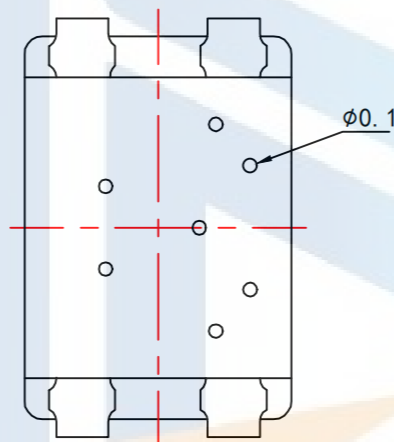
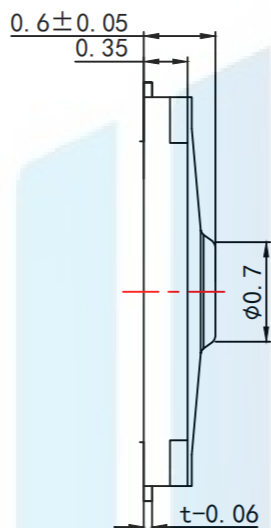
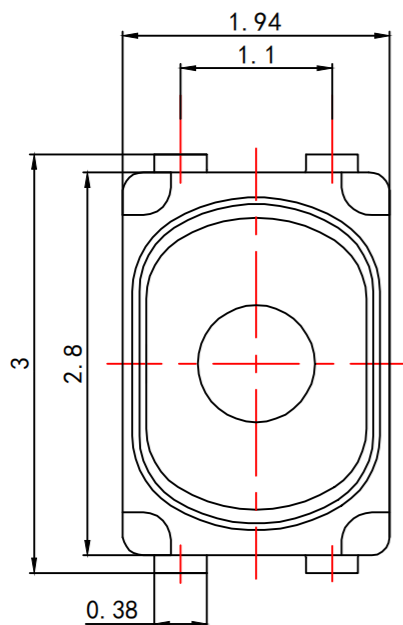
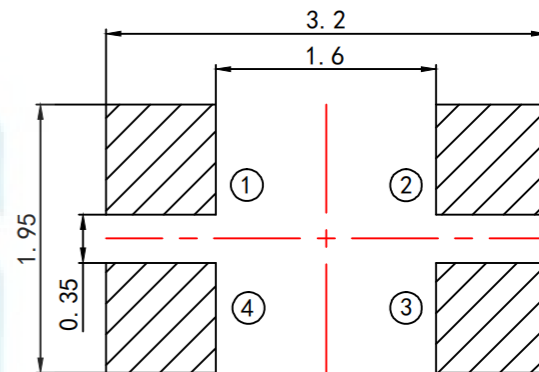


RoHS2.0
Compliant




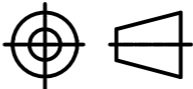
CIRCUIT DIAGRAM



Recommended PAD Layout

Remarks:

1. Rated current、 Voltage: DC 12V 50mA
2. Contact resistance: <100m Q
3. Insulation resistance: >100MQ
4. The intensity of operations: 200±50gf
5. Life requirements: 100,000次
6. Withstand voltage: AC 250V 1分钟
7. All materials comply with RoHS standards

TOLERANCE X. XXX ±0.05 X. XX ±0.15 X. X ±0.20 X. ±0.30 ANGLE ±5.0°		东莞市恒祺电子科技有限公司 Dongguan Hengqi Electronic Technology Co., Ltd	
		https://www.hq-dz.com phone:15812872448	
PROTECTON 	TITLE: 薄膜轻触开关		PART NO: HQ-TS-2819
	DRAWN:		DRAWING NO: 2.8*1.9*0.6黄膜
	CHECKED:	DATE: 18-10-08	UNIT: mm
APPROVED:	DATE: 18-10-08	SCALE: FULL	SIZE: A4