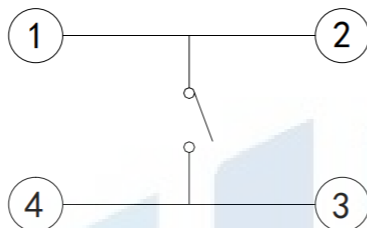
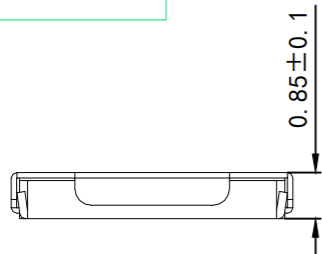
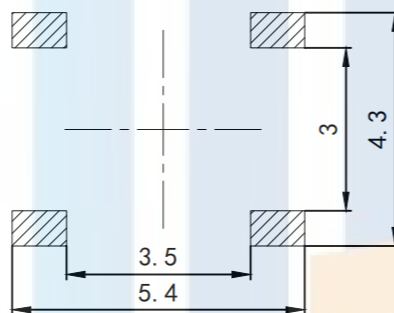
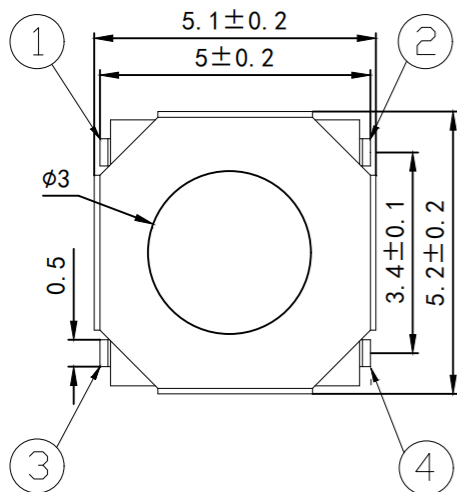
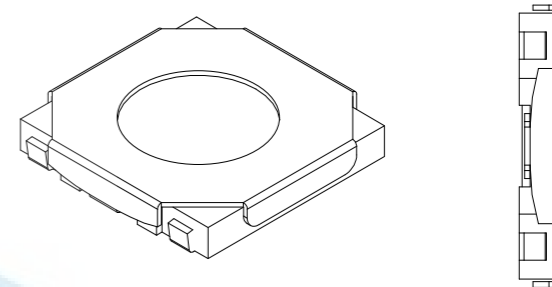


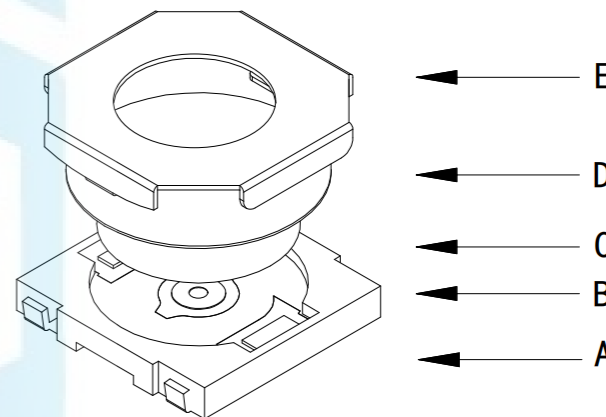
RoHS2.0
Compliant



CIRCUIT DIAGRAM



PCB. WELDING DRAWING



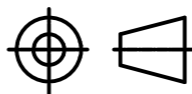
Main technical parameters

1. Rated current: 50mA DC12V
2. Contact resistance : $\leq 100\text{m}\Omega$
3. Press force: $260 \pm 50\text{gf}$
4. Stroke: $0.15 \pm 0.1\text{mm}$
5. Insulation resistance: $\geq 100\text{M}\Omega$
6. Dielectric strength: $\geq 250\text{VAC}/1\text{min}$
7. Life: ≥ 50000 Cycles

TOLERANCE

X. XXX	± 0.05
X. XX	± 0.15
X. X	± 0.20
X.	± 0.30
ANGLE	$\pm 5.0^\circ$

PROTECTON



东莞市恒祺电子科技有限公司

Dongguan Hengqi Electronic Technology Co., Ltd

<https://www.hq-dz.com>

phone: 15812872448

TITLE:

薄膜轻触开关 U脚4脚

PART NO: HQ-TS-C004C

DRAWING NO: 5.2*5.2*0.85

DRAWN:

DATE:

18-10-08

UNIT:
mm

CHECKED:

DATE:

18-10-08

SCALE:
FULL

APPROVED:

DATE:

18-10-08

SIZE:
A4