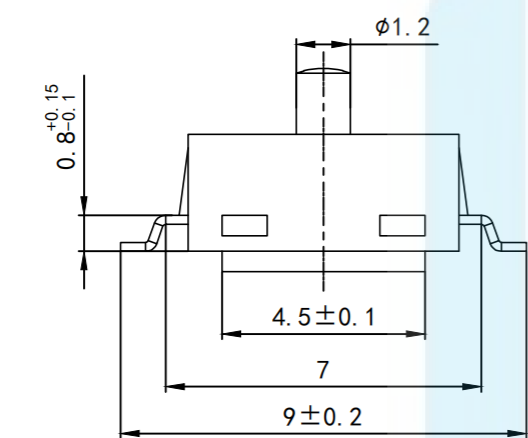
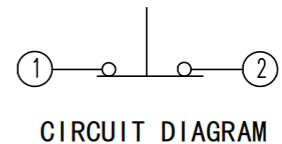
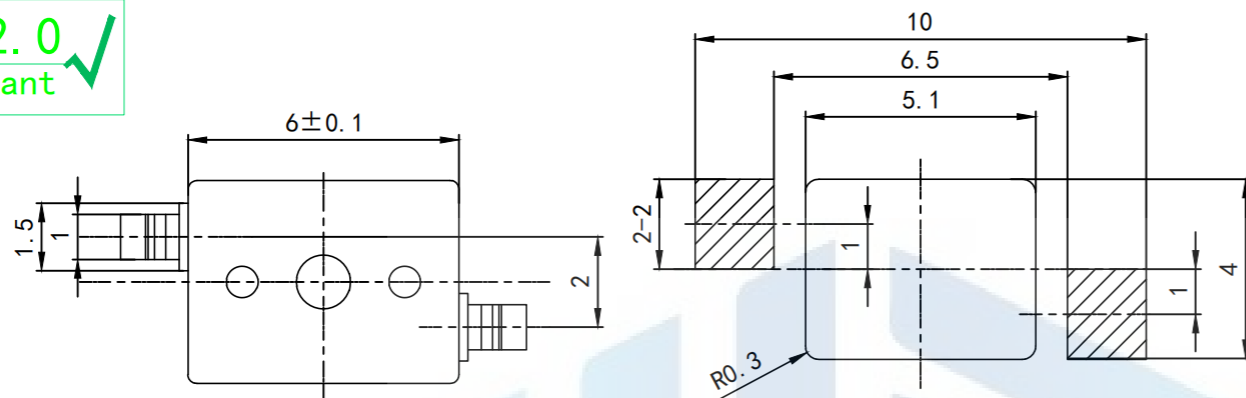
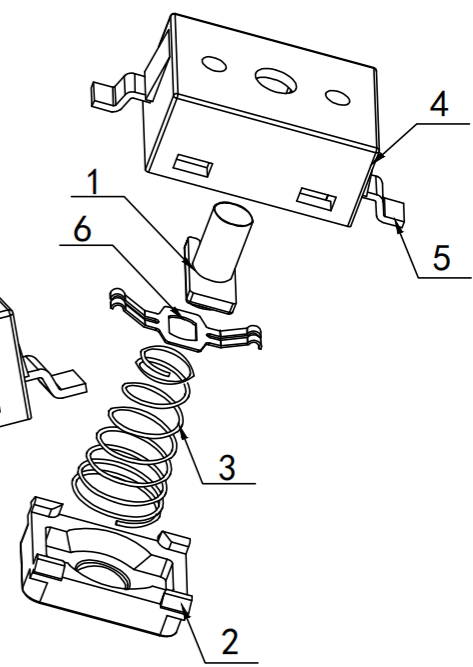
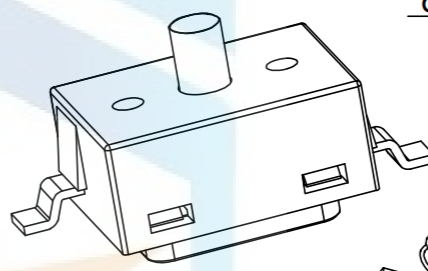
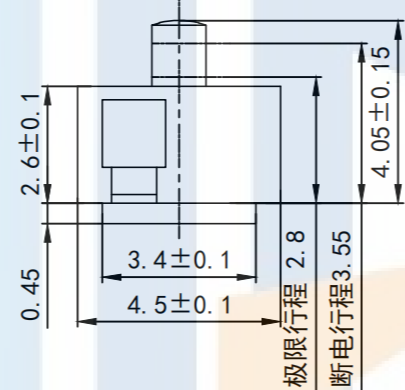


RoHS2.0
Compliant



Recommended PAD Layout ± 0.05
TOP VIEW



Technical requirements

- Rated voltage: 16V (DC)
Rated current: 0.5A
- Switching insulation resistance: $\geq 50M\Omega$
- Switch contact resistance: $\leq 200m\Omega$
- Driving force: $20g \pm 5g$
- The life of the switch requires ≥ 20000 cycles.
- The unmarked dimensional tolerance is required according to GB/T1804-m level accuracy

TOLERANCE			东莞市恒祺电子科技有限公司 Dongguan Hengqi Electronic Technology Co., Ltd		
X. XXX	±0.05		https://www.hq-dz.com		phone: 15812872448
X. XX	±0.15	TITLE: 限位开关		PART NO: HQ-KFC-V-511按断	
X. X	±0.20			DRAWING NO: 6*4*2.6	
X.	±0.30	DRAWN:		DATE: 18-10-08	
ANGLE	±5.0°	CHECKED:		DATE: 18-10-08	
PROTECTON		APPROVED:		DATE: 18-10-08	
				UNIT: mm	
				SCALE: FULL	
				SIZE: A4	