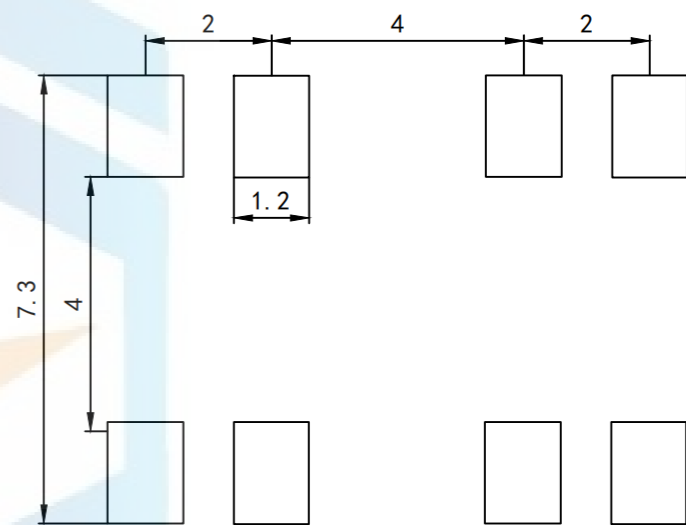
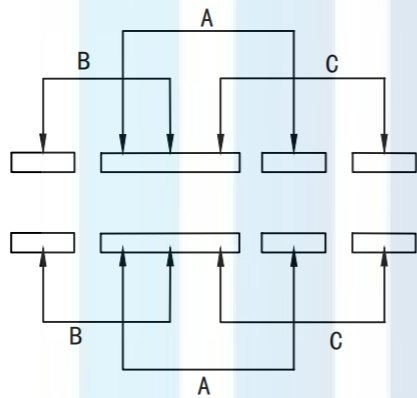
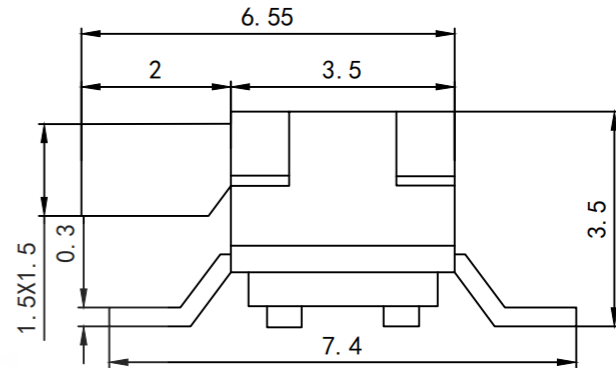
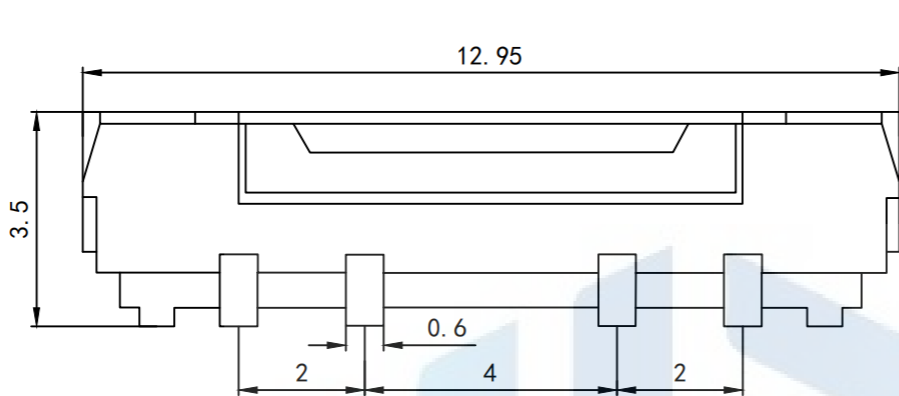


RoHS2.0
Compliant ✓



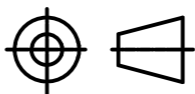
item

1. Rated electrical load: DC12V 0.1A
2. Insulation resistance: $\geq 100M\Omega$
3. Compressive strength: AC250V (50Hz) 1min
4. Ambient temperature: $-25^{\circ}C \sim +70^{\circ}C$
5. Relative temperature: ($40^{\circ}C$) $\leq 95\%$
6. Contact resistance: $\leq 50M\Omega$
7. Operation force: $190gf \pm 20gf$
8. Temperature resistance: 250°
9. Life: 10000 times

TOLERANCE

X. XXX	± 0.05
X. XX	± 0.15
X. X	± 0.20
X.	± 0.30
ANGLE	$\pm 5.0^{\circ}$

PROTECTON



东莞市恒祺电子科技有限公司
Dongguan Hengqi Electronic Technology Co., Ltd

<https://www.hq-dz.com>

phone: 15812872448

TITLE:

迷你拨动开关
8脚卧式贴片

PART NO: MSK-23D20

DRAWING NO: 13*3.5*3.5*H

DRAWN:

CHECKED:

APPROVED:

DATE:

DATE:

DATE:

18-10-08

18-10-08

18-10-08

UNIT:
mm

SCALE:
FULL

SIZE:
A4