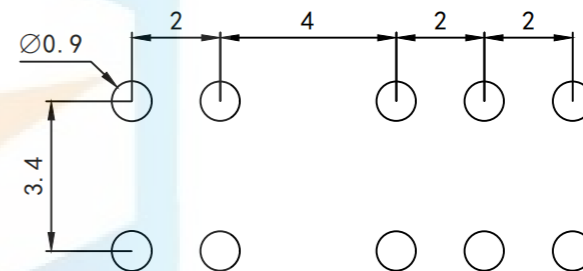
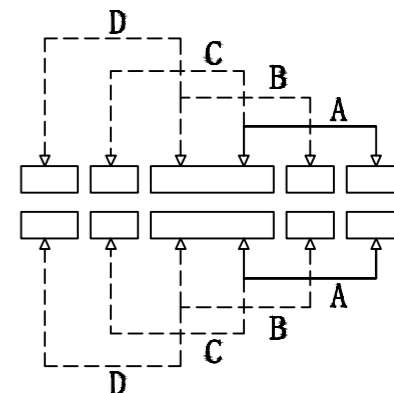
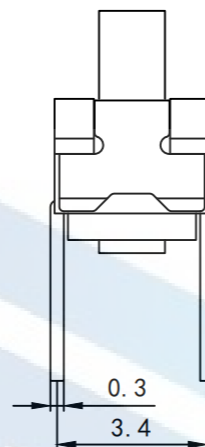
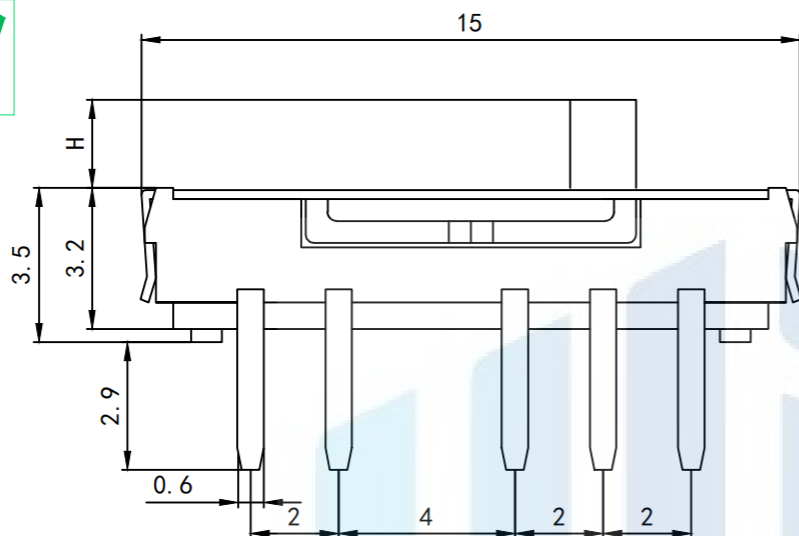

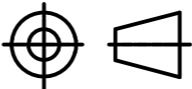


RoHS2.0
Compliant



Technical requirements:
 Rated electrical load: DC12V 0.1A
 Insulation Resistance: $\geq 100M\Omega$
 Compressive Strength: AC250V (50Hz) 1min
 Ambient Temperature: $-25^{\circ}C \sim +70^{\circ}C$
 Relative humidity: ($40^{\circ}C$) $\leq 95\%$
 Contact Resistance: $\leq 50M\Omega$
 Actuation: $200gf \pm 30gf$
 Temperature Resistance: 250°
 Life span: 10000 times

TOLERANCE	X. XXX	± 0.05		东莞市恒祺电子科技有限公司 Dongguan Hengqi Electronic Technology Co., Ltd	
	X. XX	± 0.15		https://www.hq-dz.com phone: 15812872448	
X. X	± 0.20		TITLE: 迷你拨动开关		PART NO: MSS-24D20立插10脚
X.	± 0.30				DRAWING NO: 15*3.5*3.5*H
ANGLE	$\pm 5.0^{\circ}$				
PROTECTON 	DRAWN:		DATE:	18-10-08	UNIT: mm
	CHECKED:		DATE:	18-10-08	SCALE: FULL
	APPROVED:		DATE:	18-10-08	SIZE: A4