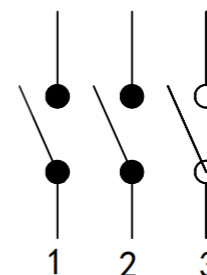
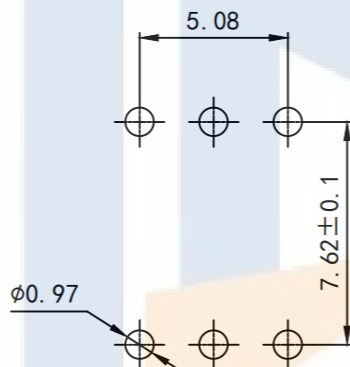
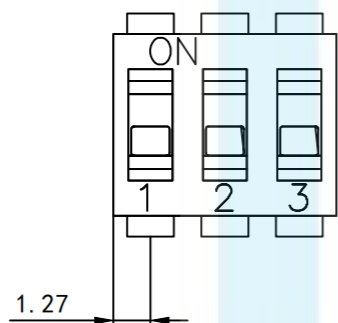
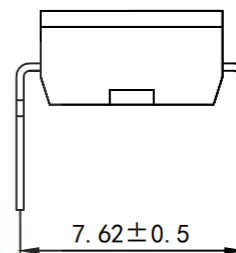
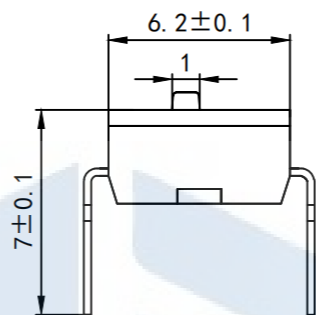
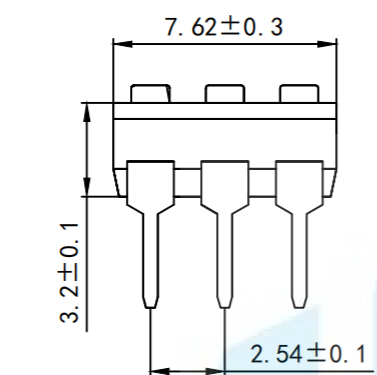

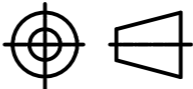


RoHS2.0
Compliant ✓



Specification:
 Electrical life: 2000 times
 rated current:
 No Switching: 100mA@50VDC
 Switching: 25mA @ 24VDC
 Insulation Resistance: 100MΩ@250VDC
 Contact Resistance: 50mΩ max
 Dielectric strength: 500VAC/1min
 Operating force: 500gfmax
 Operating temperature: -30°C to 85°C (no ice)

| | | | | | |
|---|--|-----------------------|-----------------------|------------------------|-----------------------|
| TOLERANCE X. XXX ±0.05 X. XX ±0.15 X. X ±0.20 X. ±0.30 ANGLE ±5.0° |  东莞市恒祺电子科技有限公司 Dongguan Hengqi Electronic Technology Co., Ltd https://www.hq-dz.com phone:15812872448 | TITLE: 拨码开关 | | PART NO: BIH004 | |
| | | DRAWN: | | DATE: 18-10-08 | |
| PROTECTON  | CHECKED: | | DATE: 18-10-08 | | UNIT: mm |
| | APPROVED: | | DATE: 18-10-08 | | SCALE: FULL |
| | | | DATE: 18-10-08 | | SIZE: A4 |