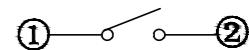
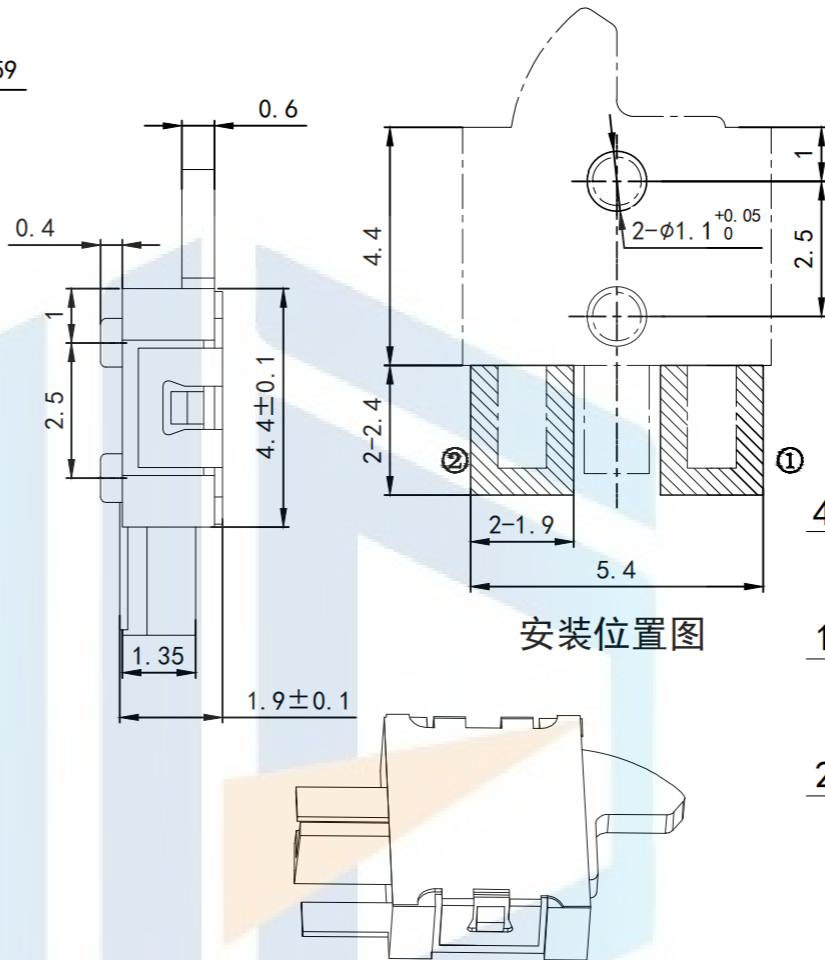
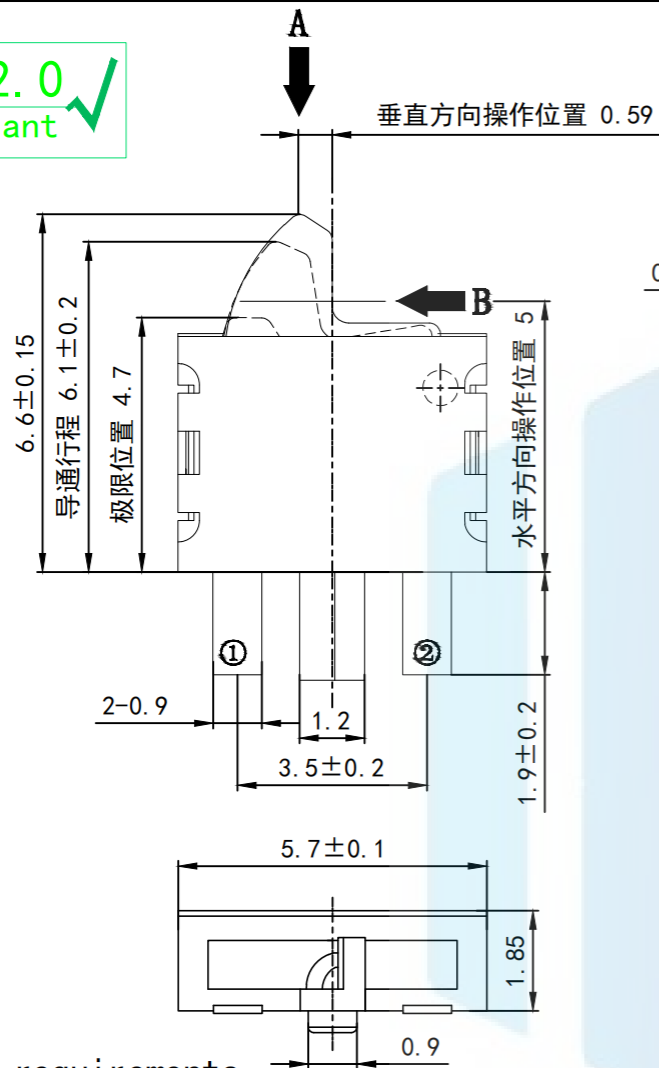
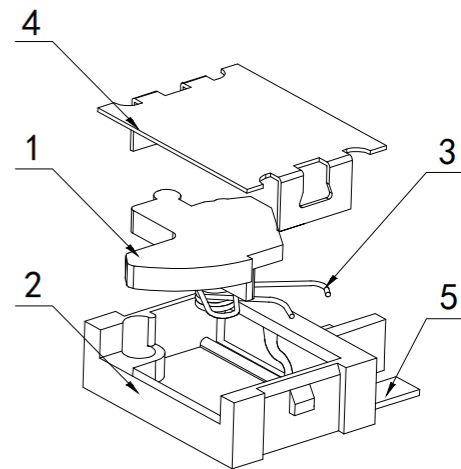


RoHS2.0  
Compliant



电路原理图



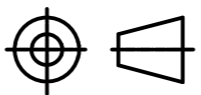
Technical requirements

- Rated voltage:16V (DC)  
Rated current:0.5A
- Switching insulation resistance: $\geq 50M\Omega$
- Switch contact resistance: $\leq 300m\Omega$
- Driving force:  $30g \pm 10g$
- The life of the switch requires  $\geq 20000$  cycles.
- The unmarked dimensional tolerance is required according to GB/T1804-m level accuracy

TOLERANCE

X. XXX	$\pm 0.05$
X. XX	$\pm 0.15$
X. X	$\pm 0.20$
X.	$\pm 0.30$
ANGLE	$\pm 5.0^\circ$

PROTECTON



东莞市恒祺电子科技有限公司

Dongguan Hengqi Electronic Technology Co., Ltd

<https://www.hq-dz.com>

phone:15812872448

TITLE:  
限位开关

PART NO:HQ-KFC-V-308T左

DRAWING NO:5.7\*1.85\*4.4

DRAWN:

DATE: 18-10-08

UNIT:  
mm

CHECKED:

DATE: 18-10-08

SCALE:  
FULL

APPROVED:

DATE: 18-10-08

SIZE:  
A4