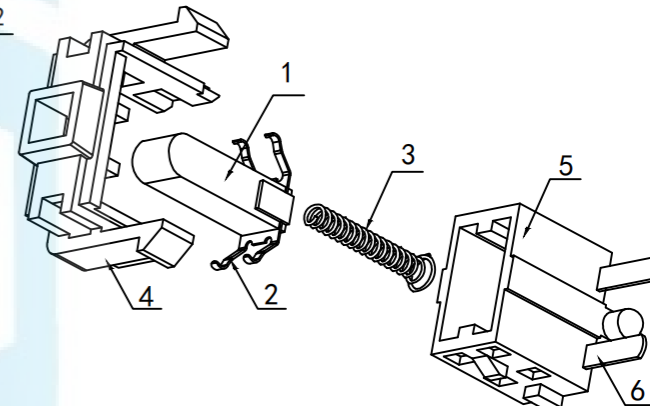
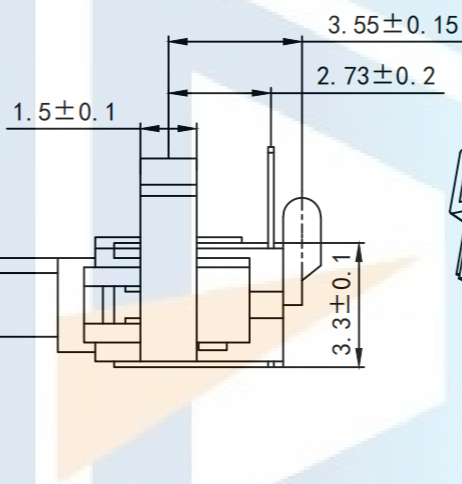
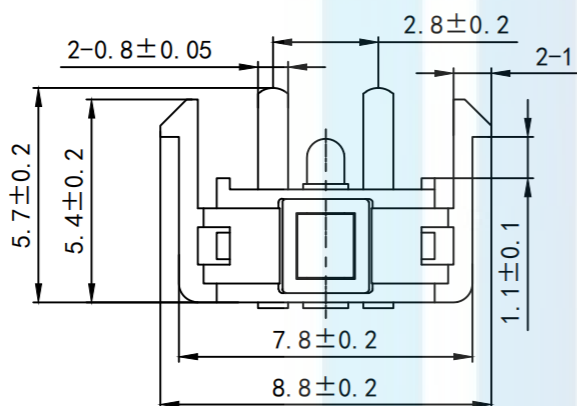
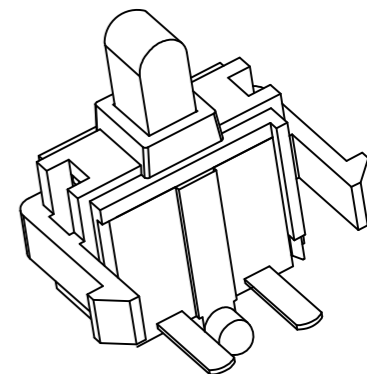
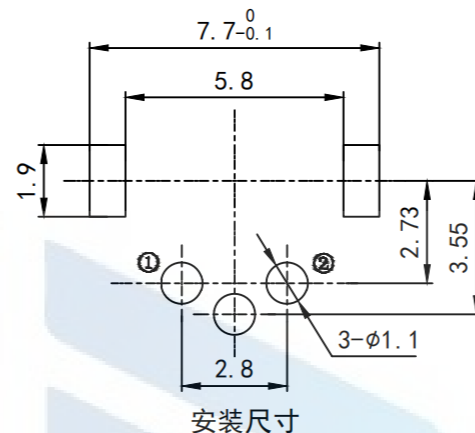
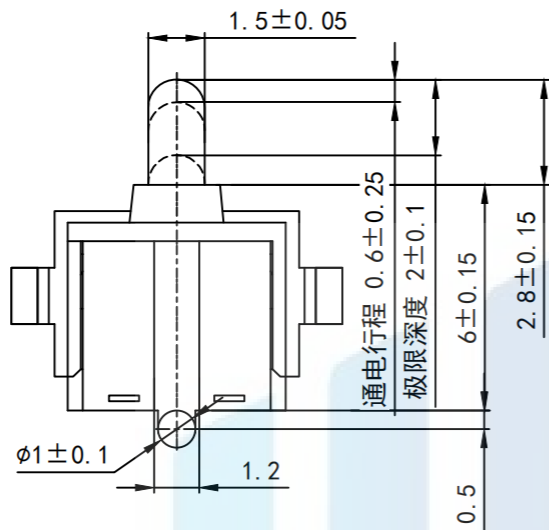
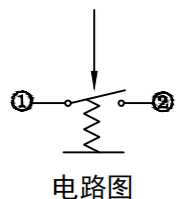


RoHS2.0  
Compliant



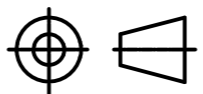
Technical requirements

- Rated voltage: 16V (DC)  
Rated current: 0.5A
- Switching insulation resistance:  $\geq 50M\Omega$
- Switch contact resistance:  $\leq 200m\Omega$
- Withstand voltage: AC 250V(50Hz)/min
- Driving force:  $90g \pm 20g$
- life span: 20000 cycles.
- The unmarked dimensional tolerance is required according to GB/T1804-m level accuracy

TOLERANCE

X. XXX	$\pm 0.05$
X. XX	$\pm 0.15$
X. X	$\pm 0.20$
X.	$\pm 0.30$
ANGLE	$\pm 5.0^\circ$

PROTECTON



东莞市恒祺电子科技有限公司  
Dongguan Hengqi Electronic Technology Co., Ltd

<https://www.hq-dz.com>

phone: 15812872448

TITLE:

限位开关

PART NO: HQ-KFC-V-108

DRAWING NO: 7.8\*6\*5.4

DRAWN:

DATE:

18-10-08

UNIT:  
mm

CHECKED:

DATE:

18-10-08

SCALE:  
FULL

APPROVED:

DATE:

18-10-08

SIZE:  
A4