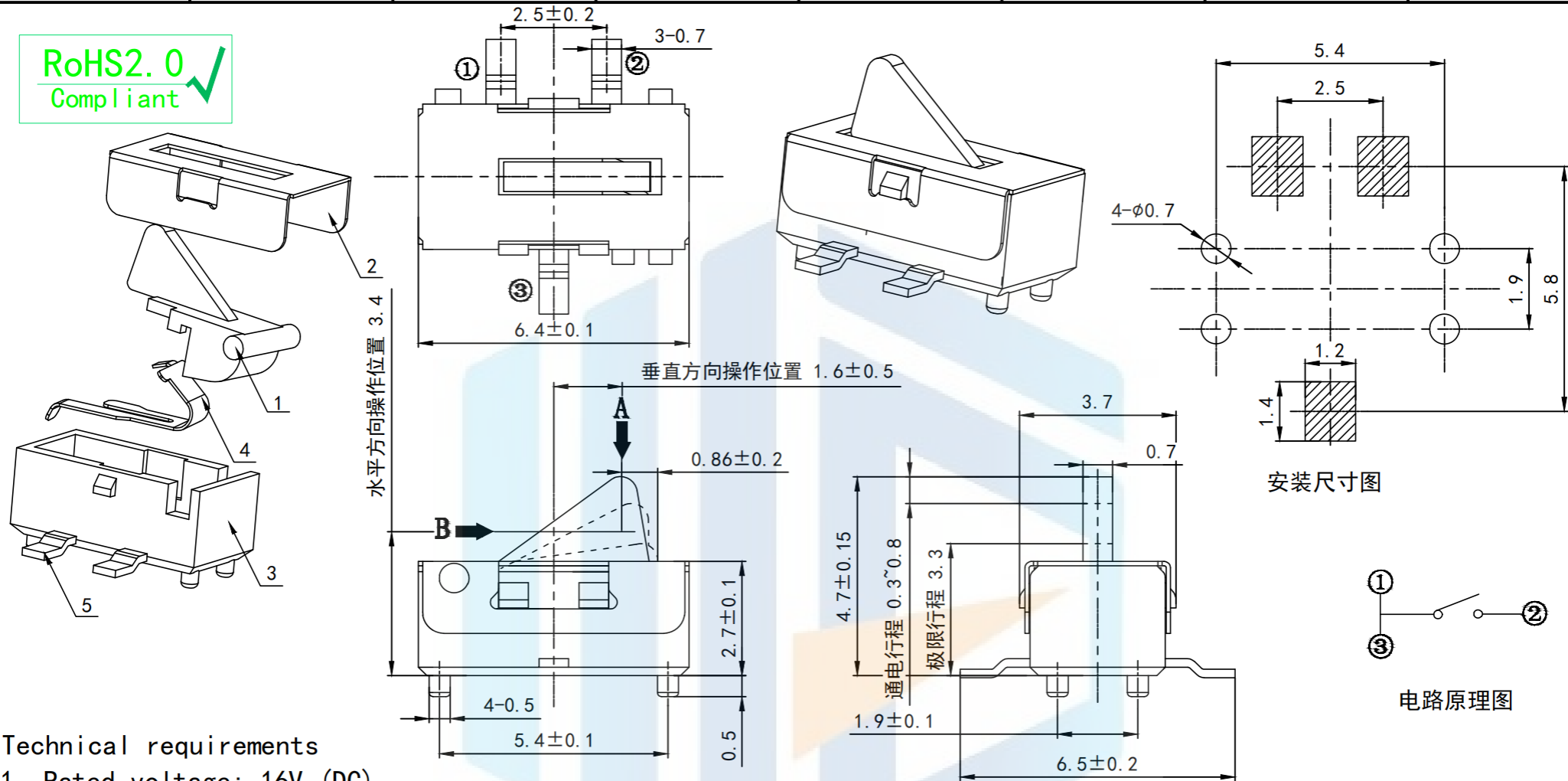


RoHS2.0
Compliant



Technical requirements

1. Rated voltage: 16V (DC)
Rated current: 0.5A
2. Switching insulation resistance: $\geq 50M\Omega$
3. Switch contact resistance: $\leq 200m\Omega$
4. Withstand voltage: AC 250V(50Hz)/min
5. Driving force: $30g \pm 10g$
6. The life of the switch requires $\geq 20,000$ cycles.
7. The unmarked dimensional tolerance is required according to GB/T1804-m level accuracy

TOLERANCE	X. XXX	± 0.05		东莞市恒祺电子科技有限公司 Dongguan Hengqi Electronic Technology Co., Ltd	
	X. XX	± 0.15		https://www.hq-dz.com phone:15812872448	
PROTECTON	X. X	± 0.20	TITLE: 限位开关		PART NO: HQ-KFC-V-105S
	X.	± 0.30	DRAWING NO: 6.4*2.7*3.7		DATE: 18-10-08 UNIT: mm
	ANGLE	$\pm 5.0^\circ$	DRAWN:	DATE: 18-10-08	SCALE: FULL
			CHECKED:	DATE: 18-10-08	SIZE: A4
			APPROVED:	DATE: 18-10-08	

