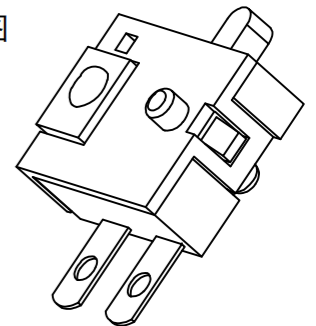
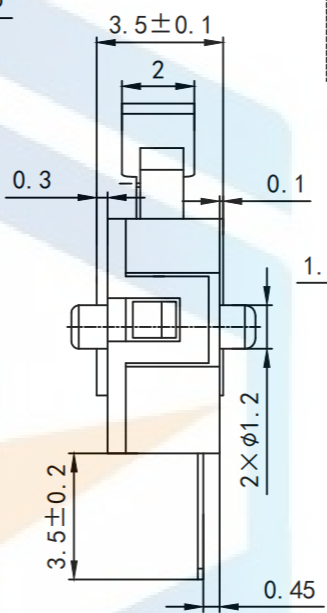
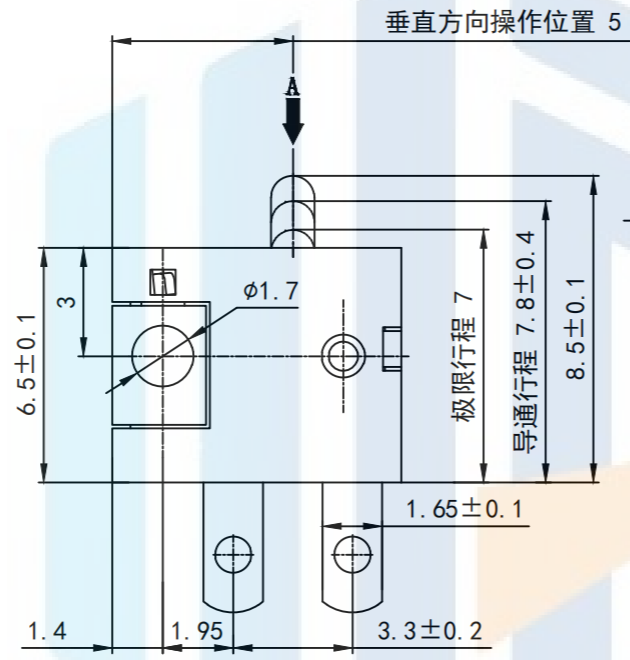
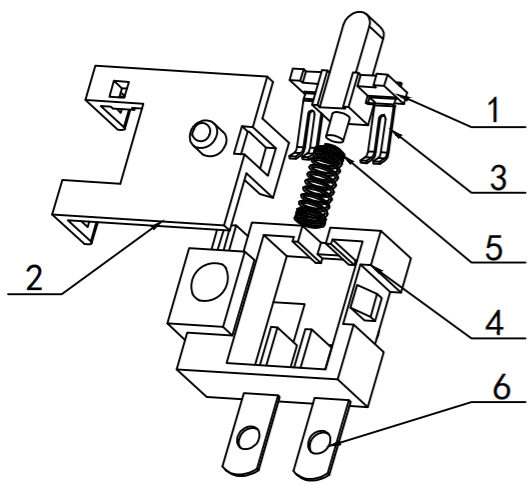
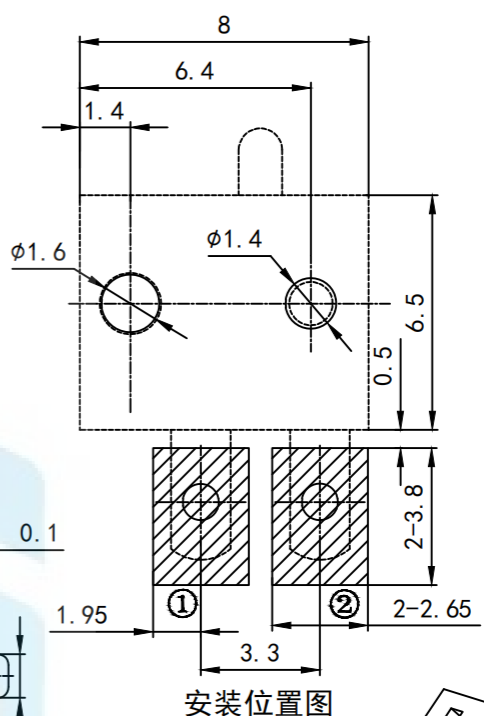
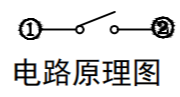
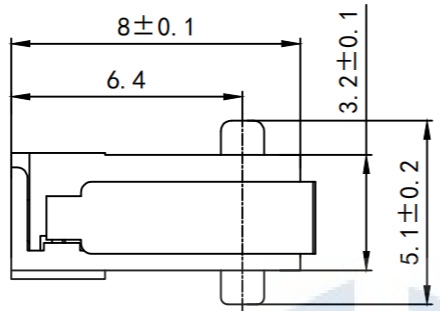


RoHS2.0
Compliant



Technical requirements

1. Rated voltage: 12V (DC)
Rated current: 0.5A
2. Switching insulation resistance: $\geq 50M\Omega$
3. Switch contact resistance: $\leq 200m\Omega$
4. Withstand voltage: AC 250V (50Hz)/min
5. Driving force: $90g \pm 20g$
6. life span: 50000 cycles.
7. The unmarked dimensional tolerance is required according to GB/T1804-m level accuracy

TOLERANCE			东莞市恒祺电子科技有限公司		
X. XXX	±0.05		Dongguan Hengqi Electronic Technology Co., Ltd		
X. XX	±0.15	https://www.hq-dz.com		phone: 15812872448	
X. X	±0.20	TITLE: 限位开关		PART NO: HQ-KFC-V-103F	
X.	±0.30			DRAWING NO: 8*3.2*6.5	
ANGLE	±5.0°				
PROTECTON		DRAWN:	DATE:	18-10-08	UNIT: mm
		CHECKED:	DATE:	18-10-08	SCALE: FULL
		APPROVED:	DATE:	18-10-08	SIZE: A4