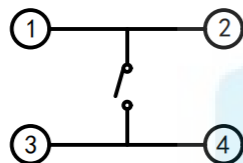
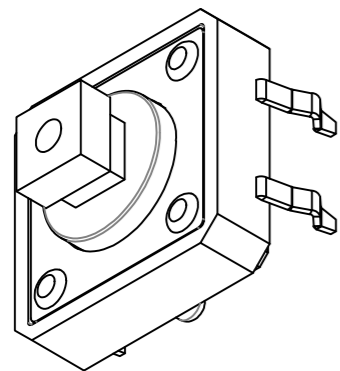
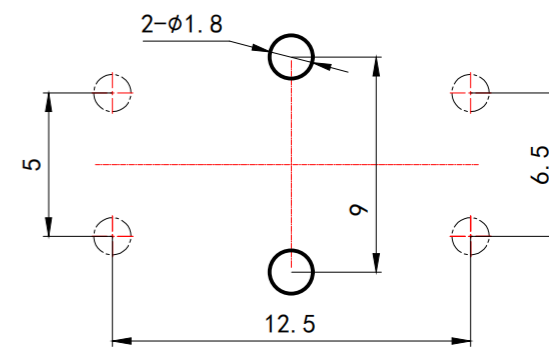
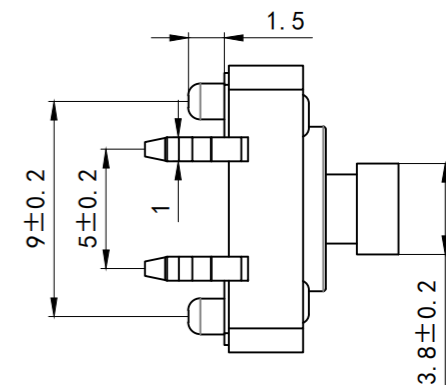
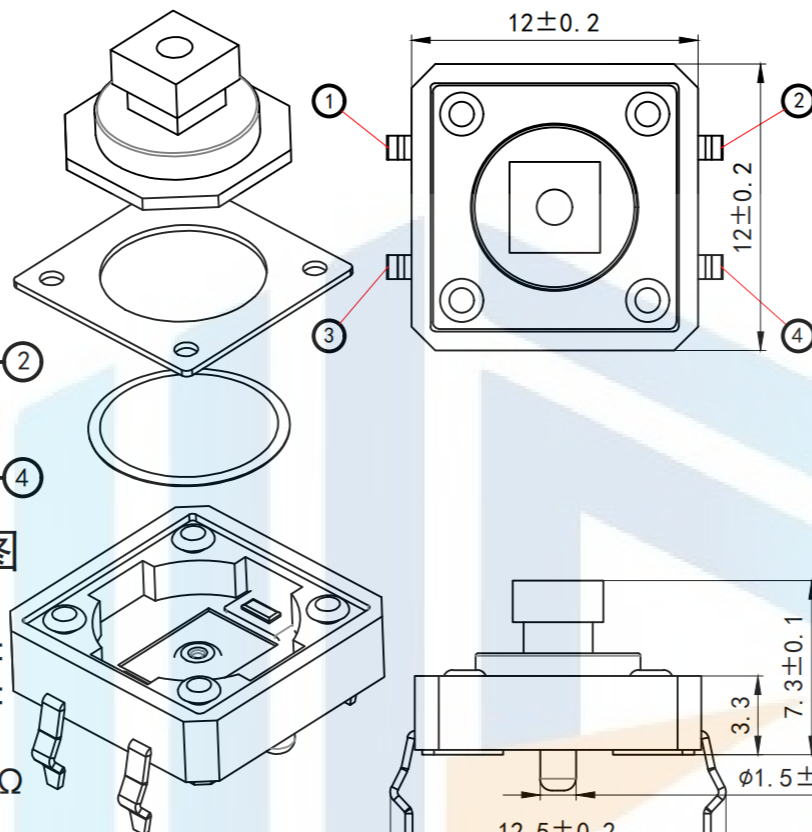


RoHS2.0
Compliant



电路图



PCB. 焊接图

- Main technical specifications:
Main technical specifications:
1. Amount setting: 50mA DC12V
 2. Contact resistance: $\leq 100\text{m}\Omega$
 3. Operation force: $250 \pm 40\text{gf}$
 4. Line length: $0.35 \pm 0.1\text{mm}$
 5. Insulation resistance: $\geq 100\text{M}\Omega$
 6. Electrical strength: 250V 50HZ 1Min.
 7. Life span: 100,000 Cycles

Materials:

Body: PPA (black)

Button: PPA (yellow/black)

Card: Brass (silver plated)

Shrapnel: Stainless steel (silver covered)

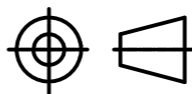
Cover plate: Copper & Cold rolled steel

(copper-tin plated)

TOLERANCE

X. XXX	± 0.05
X. XX	± 0.15
X. X	± 0.20
X.	± 0.30
ANGLE	$\pm 5.0^\circ$

PROTECTON



东莞市恒祺电子科技有限公司

Dongguan Hengqi Electronic Technology Co., Ltd

<https://www.hq-dz.com>

phone: 15812872448

TITLE:

轻触开关 方头 定位 插脚

PART NO: HQ-TS-G005

DRAWING NO: 12*12*7.3

DRAWN:

DATE:

18-10-08

UNIT:
mm

CHECKED:

DATE:

18-10-08

SCALE:
FULL

APPROVED:

DATE:

18-10-08

SIZE:
A4