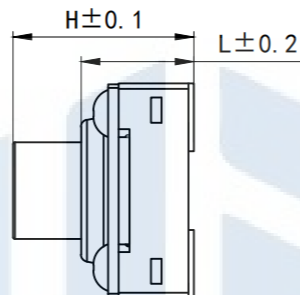
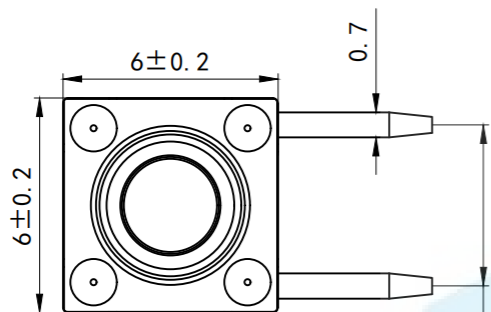
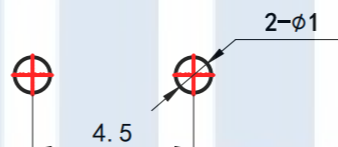
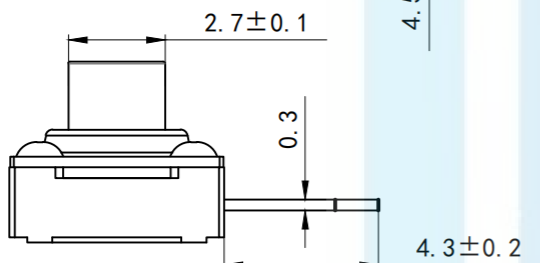


RoHS2.0
Compliant

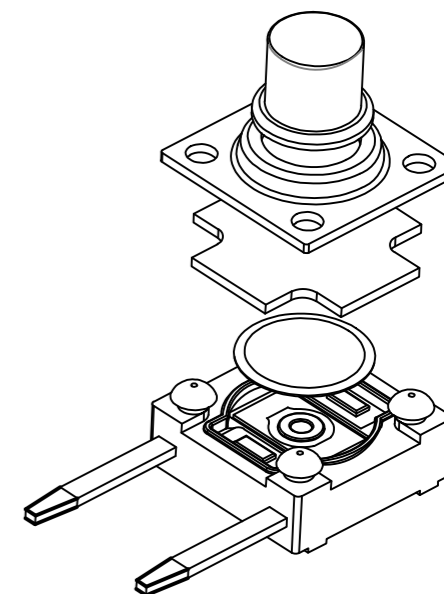
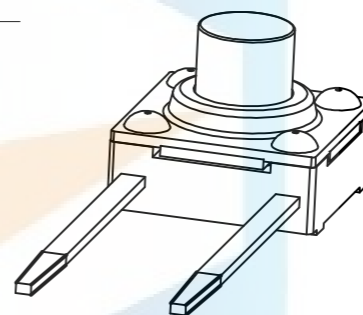
H	L
3.3	2.80
3.8	
4.3	3.15
4.5	
5.0	
5.5	
7.0	



电路图



PCB. 焊接图



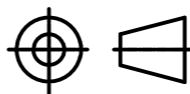
Main technical specifications:

1. Amount setting: 50mA DC12V
2. Contact resistance: $\leq 50\text{m}\Omega$
3. Operation force: $250 \pm 30\text{gf}$
4. Line length: $0.30 \pm 0.1\text{mm}$
5. Insulation resistance: $\geq 100\text{M}\Omega$
6. Electrical strength: 250V 50HZ 1Min.
7. Life span: 100,000 Cycles
8. Waterproof rating: IP67
9. Anti-silver migration: 60V, 85°C, 90%RH/60H

TOLERANCE

X. XXX	± 0.05
X. XX	± 0.15
X. X	± 0.20
X.	± 0.30
ANGLE	$\pm 5.0^\circ$

PROTECTON



东莞市恒祺电子科技有限公司

Dongguan Hengqi Electronic Technology Co., Ltd

<https://www.hq-dz.com>

phone: 15812872448

TITLE:

轻触开关 拉伸边二脚

PART NO: HQ-TS-1002

DRAWING NO: 6*6*H

DRAWN:

DATE:

18-10-08

UNIT:
mm

CHECKED:

DATE:

18-10-08

SCALE:
FULL

APPROVED:

DATE:

18-10-08

SIZE:
A4