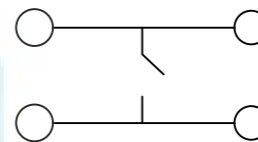
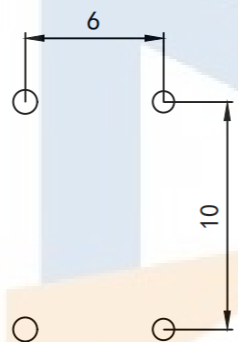
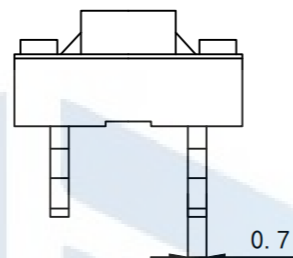
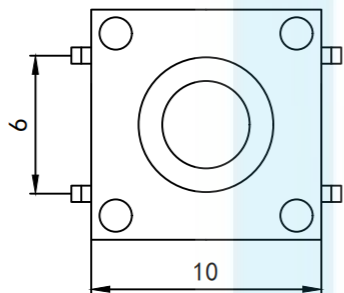
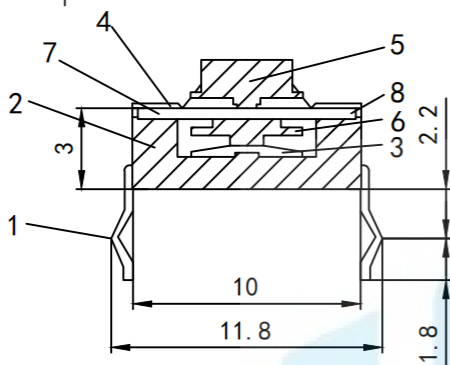


RoHS2.0  
Compliant



电路图

安装尺寸

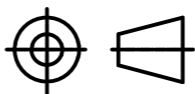
**SPECIFICATION**

1. Temperature -30~+85
2. Rated Load DC 12V 50mA
3. Contact Resistance 0.05'
4. Insulation Resistance 100M!
5. Withstand Voltage AC 250V(50Hz)/min
6. Actuating Force
7. Life 100000

**TOLERANCE**

X. XXX	±0.05
X. XX	±0.15
X. X	±0.20
X.	±0.30
ANGLE	±5.0°

**PROTECTON**



东莞市恒祺电子科技有限公司  
Dongguan Hengqi Electronic Technology Co., Ltd

<https://www.hq-dz.com>

phone:15812872448

**TITLE:**

轻触开关

PART NO:HQ-TS-1007

DRAWING NO:10\*10\*H

DRAWN:

DATE:

18-10-08

UNIT:  
mm

CHECKED:

DATE:

18-10-08

SCALE:  
FULL

APPROVED:

DATE:

18-10-08

SIZE:  
A4