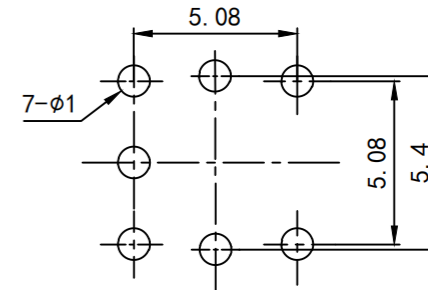
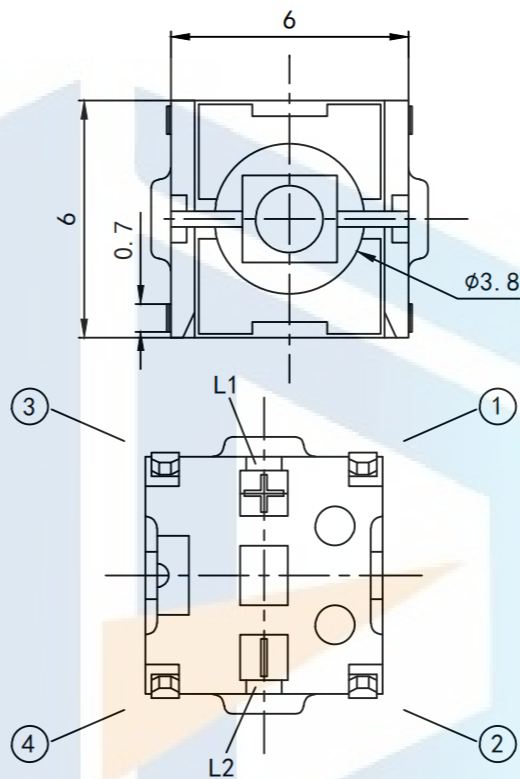
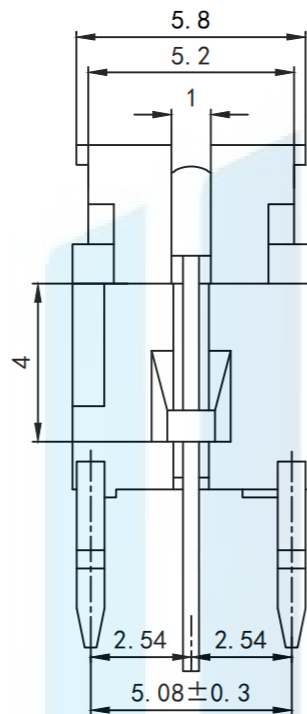
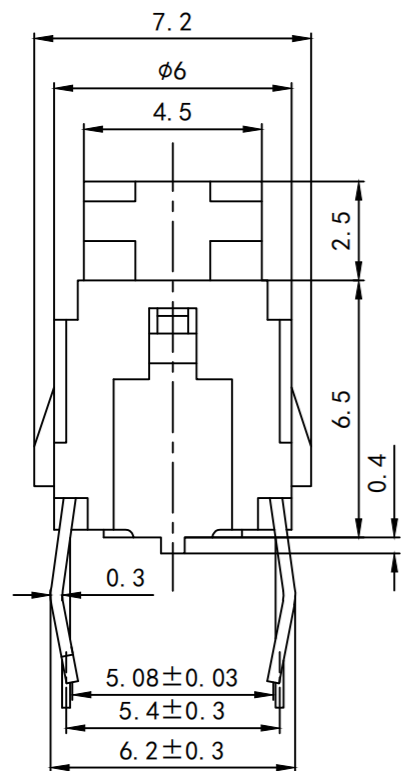
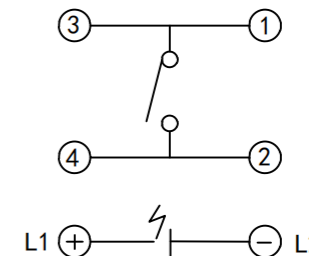


RoHS2.0
Compliant



P. C. B LAYOUT
TOP VIEW



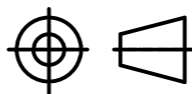
CIRCUIT DIAGRAM

1. Operating temperature range: -30° c to 85° c
2. Rating: DC12V 50mA
3. Insulation resistance: $100M\Omega$ min 100V DC
4. Dielectric strength: 250V AC for 1min
5. Contact resistance: $100m\Omega$ Max
6. Operating force: $160\pm 50gf$ - $260\pm 50gf$
7. Travel: 0.25 ± 0.10 mm
8. Operating life: 260gf 100,000 Cycle

TOLERANCE

X. XXX	± 0.05
X. XX	± 0.15
X. X	± 0.20
X.	± 0.30
ANGLE	$\pm 5.0^{\circ}$

PROTECTON



东莞市恒祺电子科技有限公司

Dongguan Hengqi Electronic Technology Co., Ltd

<https://www.hq-dz.com>

phone: 15812872448

TITLE:

带灯轻触开关

PART NO: HQ-TS-H004

DRAWING NO: 6*6*9

DRAWN:

DATE:

18-10-08

UNIT:
mm

CHECKED:

DATE:

18-10-08

SCALE:
FULL

APPROVED:

DATE:

18-10-08

SIZE:
A4