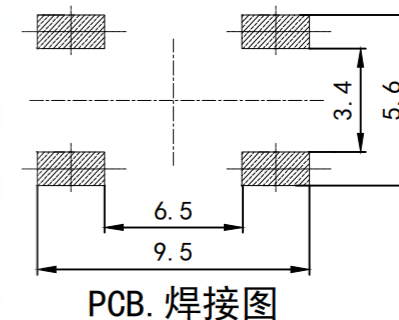
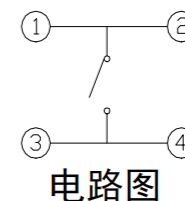
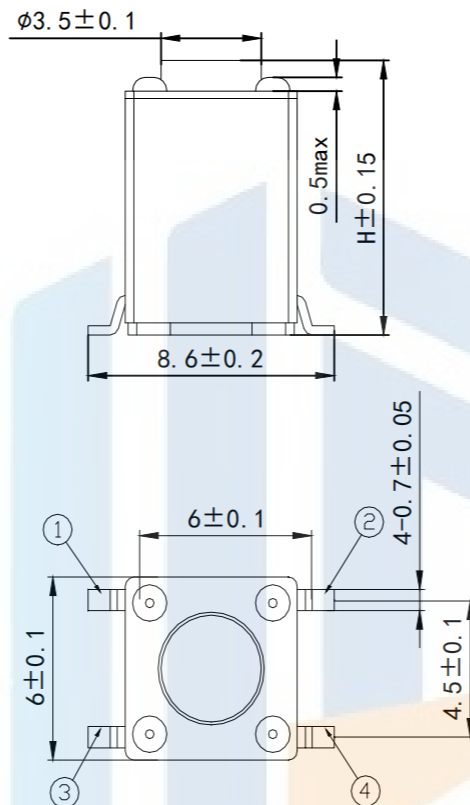
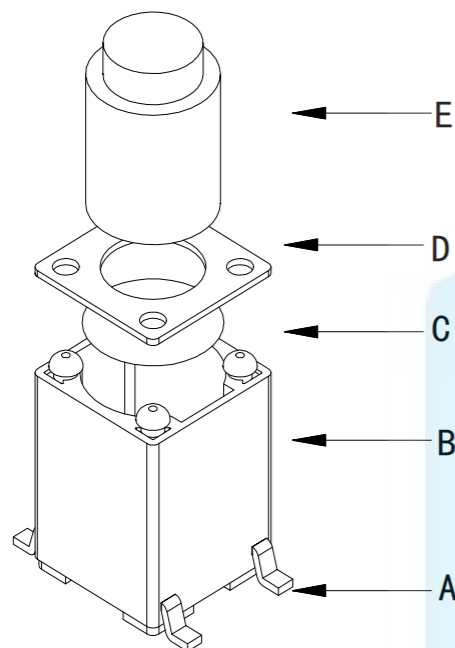


RoHS2.0
Compliant



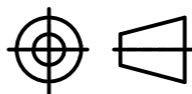
Technical requirements

1. Rate voltage. current: 50mA DC12V
2. Contact resistance: $\leq 100m\Omega$
3. Operating force: $260 \pm 50gf$
4. Travel: $0.25 \pm 0.10mm$
5. Insulated resistance: $\geq 100MR$
6. Dielectric strength: $\geq 250VAC/1min$
7. Endurance: ≥ 100000 次

TOLERANCE

| | |
|--------|-----------------|
| X. XXX | ± 0.05 |
| X. XX | ± 0.15 |
| X. X | ± 0.20 |
| X. | ± 0.30 |
| ANGLE | $\pm 5.0^\circ$ |

PROTECTON



东莞市恒祺电子科技有限公司

Dongguan Hengqi Electronic Technology Co., Ltd

<https://www.hq-dz.com>

phone: 15812872448

TITLE:

轻触开关

PART NO: HQ-TS-D048

DRAWING NO: 6*6*H高基座

DRAWN:

DATE:

18-10-08

UNIT:
mm

CHECKED:

DATE:

18-10-08

SCALE:
FULL

APPROVED:

DATE:

18-10-08

SIZE:
A4