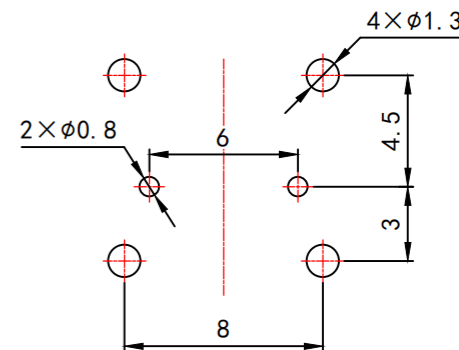
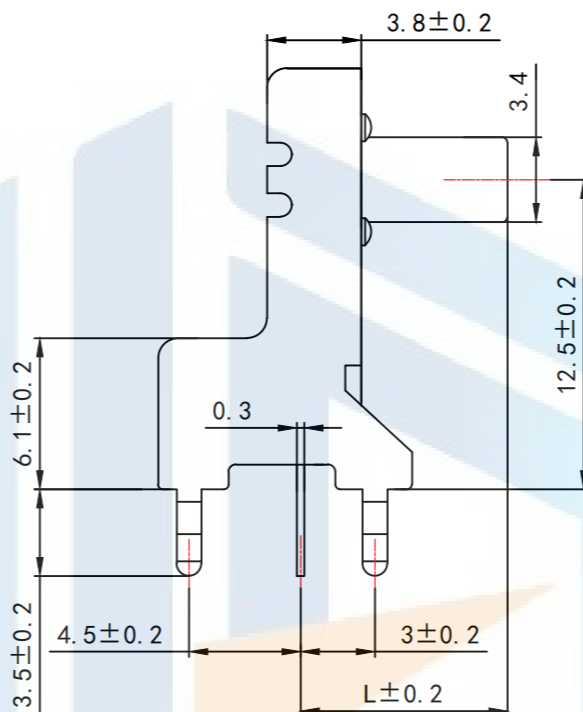
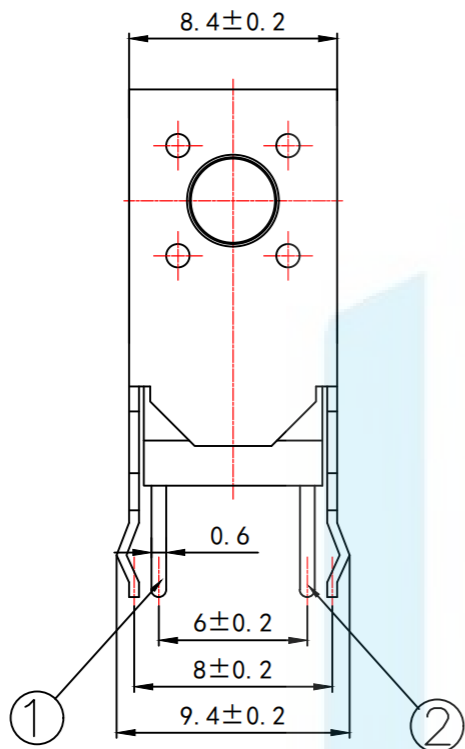
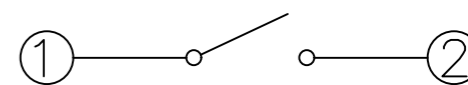


RoHS2.0
Compliant

L	
3.15	3.85
5.85	8.35
11.85	15.85



印制线路板图



电路图

Key Technical Specifications:

1. Rating: 50mA DC12V
2. Contact resistance: ≤100mΩ
3. Operating force: 160±40gf@250±20gf
4. Itinerary: 0.25±0.1mm
5. Insulation resistance: ≥100MΩ
6. Electrical strength: 250V 50HZ 1Min.
7. life span: 100,000 Cycles

TOLERANCE

X. XXX	±0.05
X. XX	±0.15
X. X	±0.20
X.	±0.30
ANGLE	±5.0°

PROTECTON



东莞市恒祺电子科技有限公司

Dongguan Hengqi Electronic Technology Co., Ltd

<https://www.hq-dz.com>

phone: 15812872448

TITLE:

轻触开关

PART NO: HQ-TS-D043

DRAWING NO: 6*6*H

DRAWN:

DATE:

18-10-08

UNIT:
mm

CHECKED:

DATE:

18-10-08

SCALE:
FULL

APPROVED:

DATE:

18-10-08

SIZE:
A4