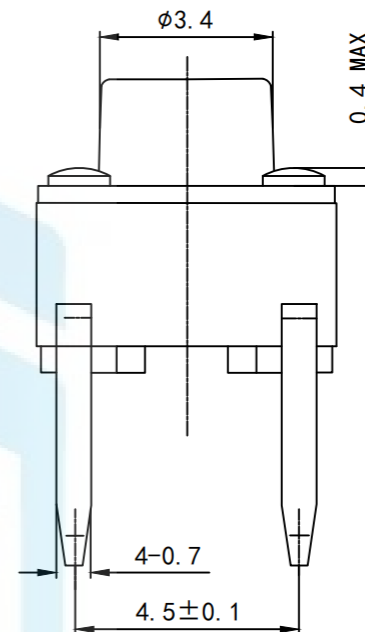
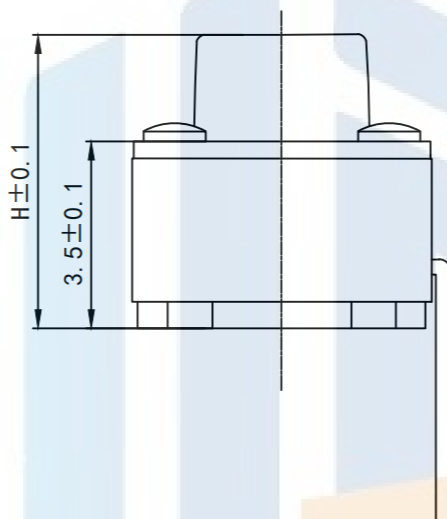
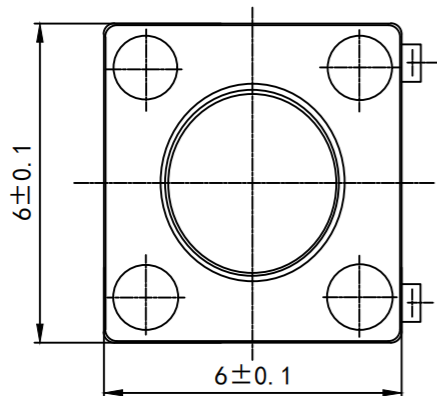

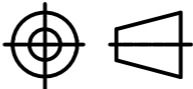


RoHS2.0
Compliant



1. RATING : DC 12V 50mA
2. CONTACT RESISTANCE : 100m!'AX
3. GENERAL TOLERANCE : ± 0.3
4. MANUFACTURING SPECIFICATIONWOULD BE ACCORDANCE WITH WT0158

TOLERANCE X. XXX ±0.05 X. XX ±0.15 X. X ±0.20 X. ±0.30 ANGLE ±5.0°		 东莞市恒祺电子科技有限公司 Dongguan Hengqi Electronic Technology Co., Ltd	
		https://www.hq-dz.com phone:15812872448	
		TITLE: 轻触开关	PART NO: HQ-TS-D038
		DRAWING NO: 6*6*H正接边二脚	
PROTECTON 		DRAWN:	DATE: 18-10-08
		CHECKED:	DATE: 18-10-08
		APPROVED:	DATE: 18-10-08
			UNIT: mm
			SCALE: FULL
			SIZE: A4