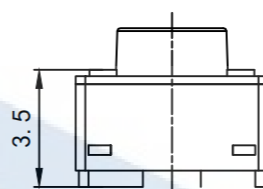
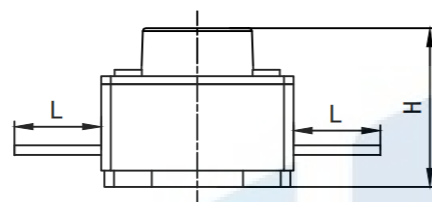
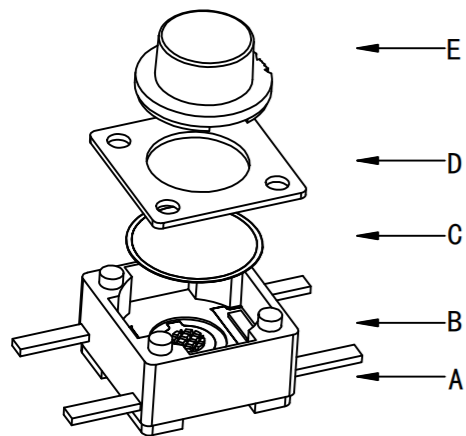
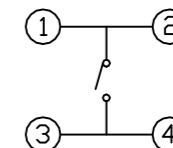
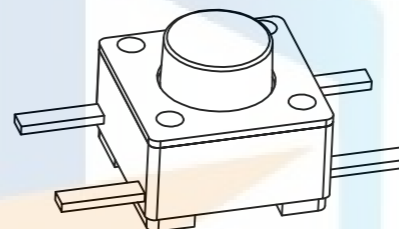
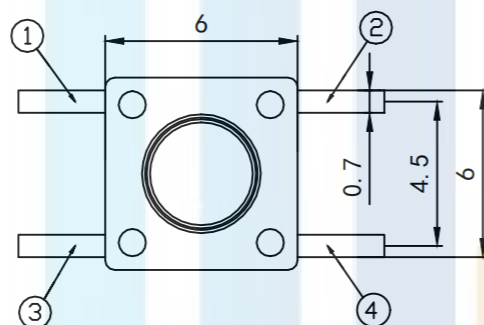


RoHS2.0
Compliant



L
2.0
2.7

H	H
4.3	4.5
5.0	5.5
6.0	6.5
7.0	7.5
8.0	8.5
9.0	9.5
10.0	10.5
11.0	12.0



电路图
CIRCUIT DIAGRAM

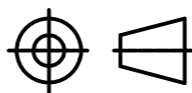
Technical Parameters:

Rate voltage.current: 50mA DC12V
 Contact resistance: $\leq 100 \Omega$
 Operating force: $260 \pm 50 \text{gf}$
 Travel: $0.25 \pm 0.1 \text{mm}$
 Insulated resistance: $\geq 100 \text{M}\Omega$
 Dielectric strength: $\geq 250 \text{VAC}/1 \text{min}$
 Endurance: ≥ 30000 次

TOLERANCE

X. XXX	± 0.05
X. XX	± 0.15
X. X	± 0.20
X.	± 0.30
ANGLE	$\pm 5.0^\circ$

PROTECTON



东莞市恒祺电子科技有限公司

Dongguan Hengqi Electronic Technology Co., Ltd

<https://www.hq-dz.com>

phone:15812872448

TITLE:

轻触开关

PART NO:HQ-TS-D027

DRAWING NO:6*6*H 平脚

DRAWN:

CHECKED:

APPROVED:

DATE:

DATE:

DATE:

18-10-08

18-10-08

18-10-08

UNIT:
mm

SCALE:
FULL

SIZE:
A4