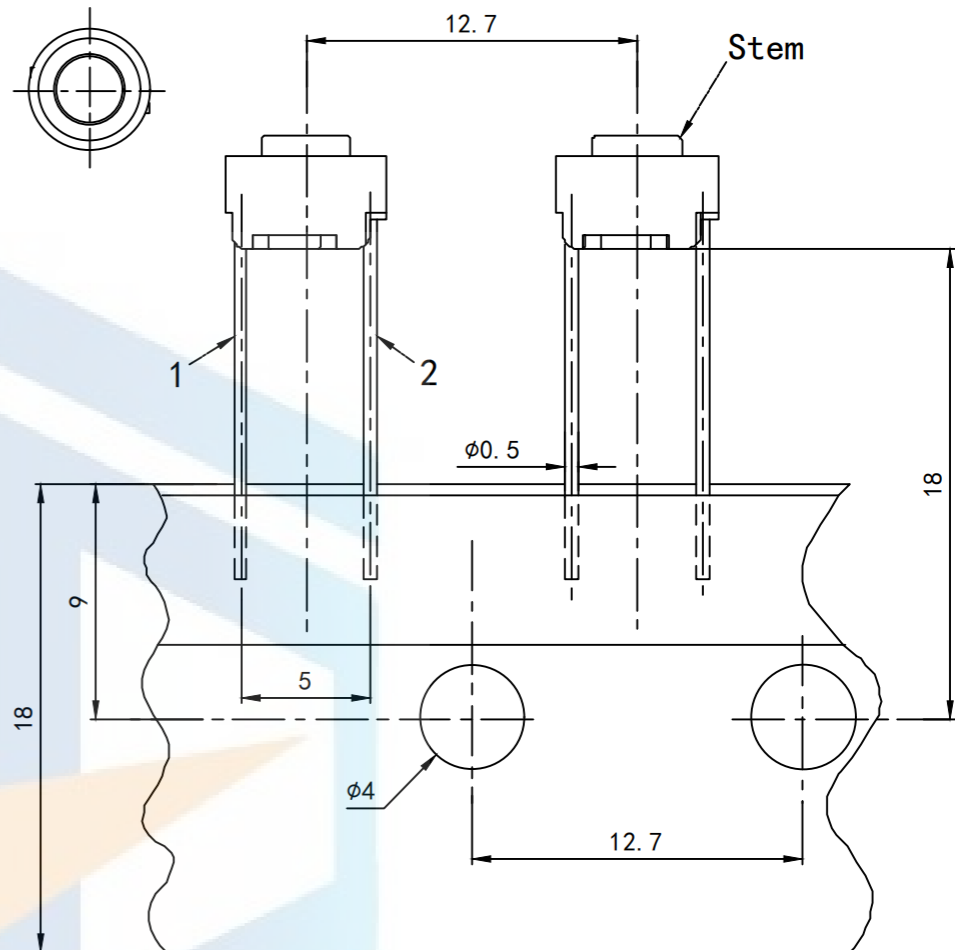
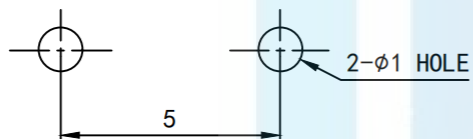
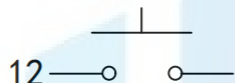
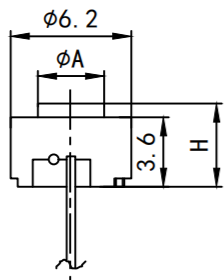


RoHS2.0
Compliant

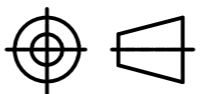


1. Operating temperature range: -30°C to 85°C
2. Rating: DC12V 50mA
3. Insulation resistance: $100\text{M}\Omega$ min 100V DC
4. Dielectric strength: 250V AC for 1min
5. Contact resistance: $100\text{m}\Omega$ Max
6. Operating force: 160 50gf-260 50gf
7. Travel: 0.25 soil 0.10mm
8. Operating life: 260gf 100,000 Cycle

TOLERANCE

X. XXX	± 0.05
X. XX	± 0.15
X. X	± 0.20
X.	± 0.30
ANGLE	$\pm 5.0^{\circ}$

PROTECTON



东莞市恒祺电子科技有限公司
Dongguan Hengqi Electronic Technology Co., Ltd

<https://www.hq-dz.com>

phone: 15812872448

TITLE:

轻触开关

PART NO: HQ-TS-D026

DRAWING NO: 6*6*H圆形中两脚

DRAWN:

DATE:

18-10-08

UNIT:
mm

CHECKED:

DATE:

18-10-08

SCALE:
FULL

APPROVED:

DATE:

18-10-08

SIZE:
A4