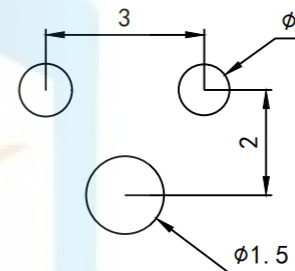
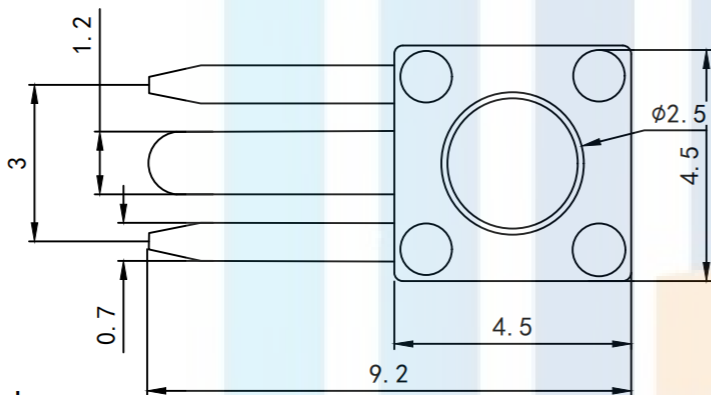
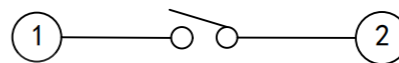
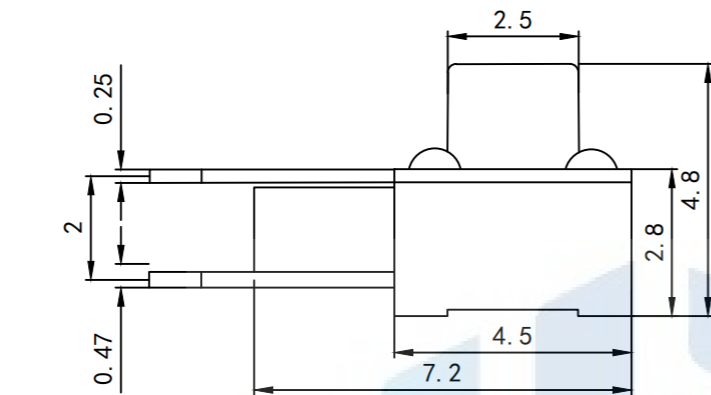

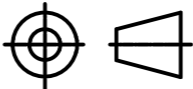


RoHS2.0
Compliant



Technical requirements:

1. The surface of the parts is smooth and clean without scratches, splashes, deformation, defects affecting appearance and performance.
2. Rated current :50mA. 12V DC, insulation resistance 100Mmin, 100V DC, dielectric strength 250V AC for 1min, contact resistance 100m Ω max.
3. The switch feels obvious, the gear position is clear and reliable, no stuck phenomenon, after eliminating external force, it should be able to return quickly.

TOLERANCE	X. XXX	±0.05		东莞市恒祺电子科技有限公司 Dongguan Hengqi Electronic Technology Co., Ltd		
	X. XX	±0.15		https://www.hq-dz.com phone:15812872448		
X. X	±0.20		TITLE: 轻触开关	PART NO:HQ-TS-C019		
X.	±0.30			DRAWING NO:4.5*4.5*H边三脚		
ANGLE	±5.0°					
PROTECTON 	DRAWN:		DATE:	18-10-08	UNIT:	mm
	CHECKED:		DATE:	18-10-08	SCALE:	FULL
	APPROVED:		DATE:	18-10-08	SIZE:	A4