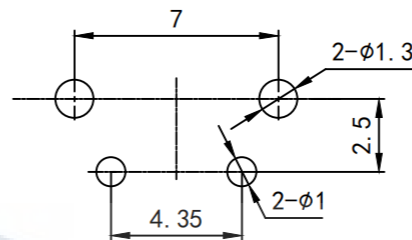
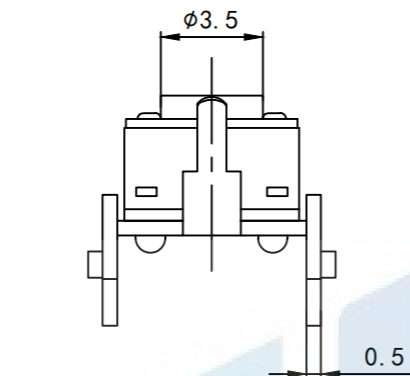
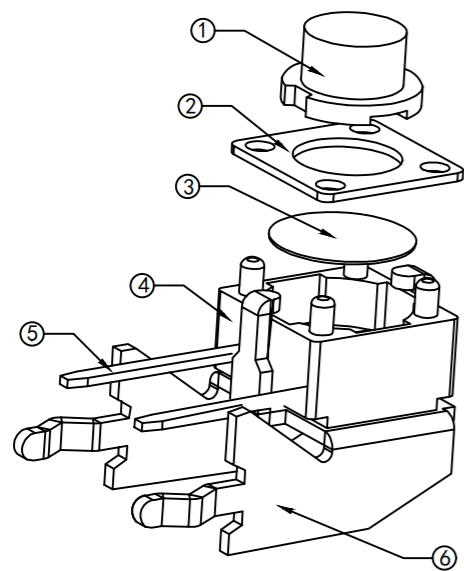
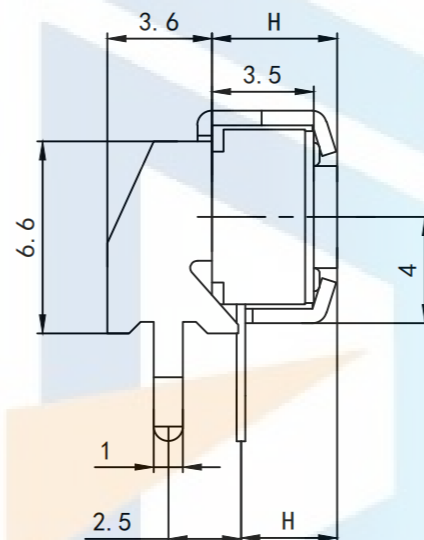
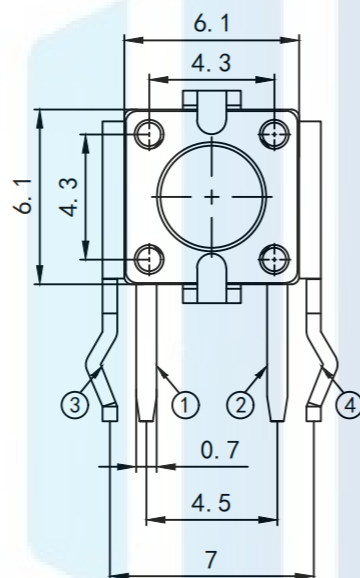


RoHS2.0
Compliant



PCB线路板安装图(±0.1)



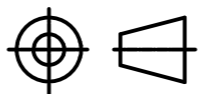
13.85	15
11.85	13
11.35	12.5
7.85	9
7.35	8.5
6.85	8
5.35	6.5
3.85	5
3.15	4.3
高度H(mm) ±0.25	高度H(mm) ±0.25

Technical Parameters:
 Cooking temperature: $-25\sim+85^{\circ}\text{C}$
 Rated load: DC12V50mA;
 Contact resistance: $\leq 50\Omega$
 Insulation resistance: $\geq 100\text{M}\Omega$;
 Withstand voltage: AC250V(50Hz)/min;
 Operating force: $2.5\pm 0.5\text{N}$;
 Service life: 100,000 times;

TOLERANCE

X. XXX	± 0.05
X. XX	± 0.15
X. X	± 0.20
X.	± 0.30
ANGLE	$\pm 5.0^{\circ}$

PROTECTON



东莞市恒祺电子科技有限公司

Dongguan Hengqi Electronic Technology Co., Ltd

<https://www.hq-dz.com>

phone:15812872448

TITLE:

轻触开关

PART NO:HQ-TS-D012

DRAWING NO:6*6*H下飞机架

DRAWN:

CHECKED:

APPROVED:

DATE:

18-10-08

UNIT:
mm

DATE:

18-10-08

SCALE:
FULL

DATE:

18-10-08

SIZE:
A4