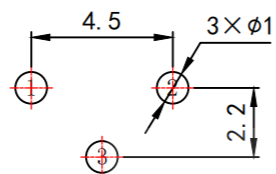
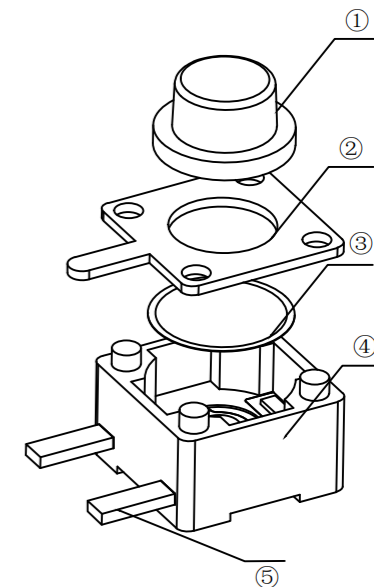
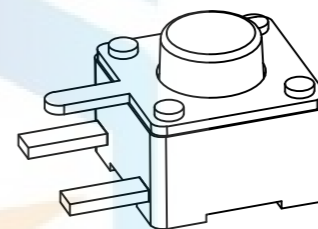
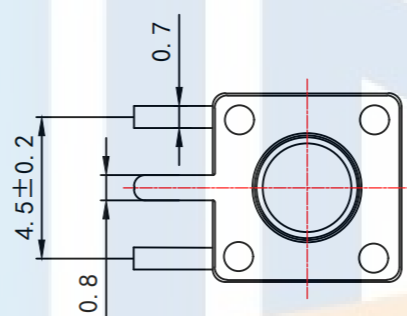
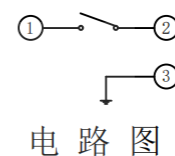
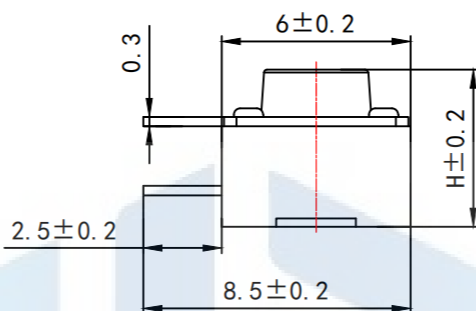
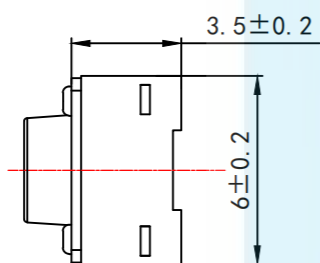


RoHS2.0  
Compliant



PCB. 焊接图

H
4.3
4.5
5.0
5.5
6.0
6.5
7.0



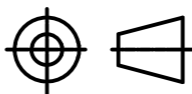
Key Technical Specifications:

1. Rating: 50mA DC12V
2. Contact resistance:  $\leq 50\text{m}\Omega$
3. Operating force:  $250 \pm 40\text{gf}$
4. Itinerary:  $0.25 \pm 0.1\text{mm}$
5. Insulation resistance:  $\geq 100\text{M}\Omega$
6. Electrical strength: 250V 50HZ 1Min.
7. life span: 100,000 Cycles

TOLERANCE

X. XXX	$\pm 0.05$
X. XX	$\pm 0.15$
X. X	$\pm 0.20$
X.	$\pm 0.30$
ANGLE	$\pm 5.0^\circ$

PROTECTON



东莞市恒祺电子科技有限公司

Dongguan Hengqi Electronic Technology Co., Ltd

<https://www.hq-dz.com>

phone: 15812872448

TITLE:

轻触开关

PART NO: HQ-TS-D008

DRAWING NO: 6\*6\*H脚长2.5

DRAWN:

DATE:

18-10-08

UNIT:  
mm

CHECKED:

DATE:

18-10-08

SCALE:  
FULL

APPROVED:

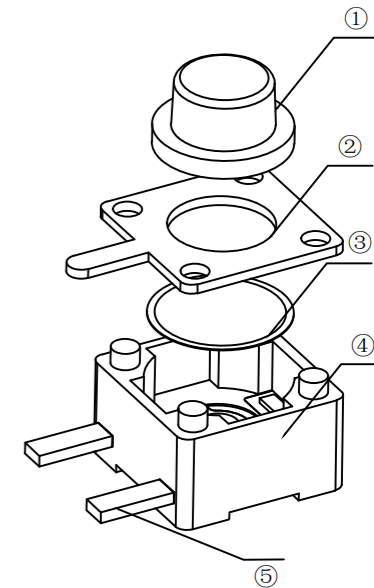
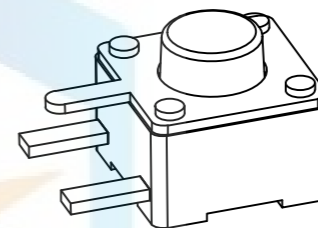
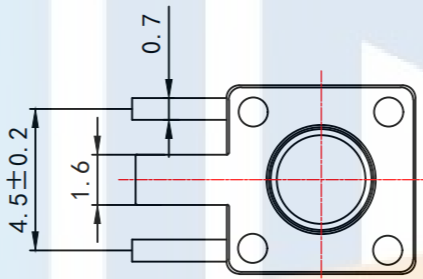
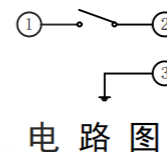
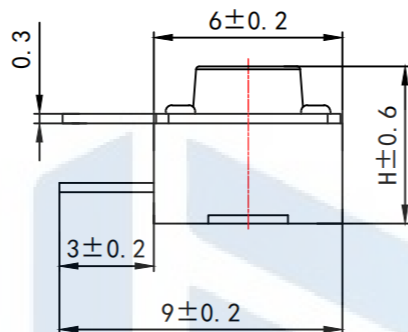
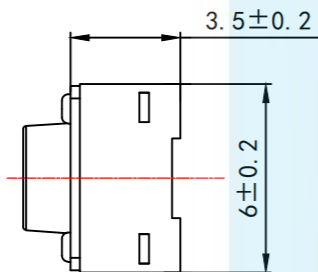
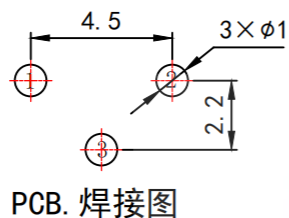
DATE:

18-10-08

SIZE:  
A4

RoHS2.0  
Compliant

H
4.3
4.5
5.0
5.5
6.0
6.5
7.0



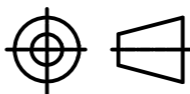
Key Technical Specifications:

1. Rating: 50mA DC12V
2. Contact resistance:  $\leq 50\text{m}\Omega$
3. Operating force:  $250 \pm 40\text{gf}$
4. Itinerary:  $0.25 \pm 0.1\text{mm}$
5. Insulation resistance:  $\geq 100\text{M}\Omega$
6. Electrical strength: 250V 50HZ 1Min.
7. life span: 100,000 Cycles

TOLERANCE

X. XXX	$\pm 0.05$
X. XX	$\pm 0.15$
X. X	$\pm 0.20$
X.	$\pm 0.30$
ANGLE	$\pm 5.0^\circ$

PROTECTON



东莞市恒祺电子科技有限公司

Dongguan Hengqi Electronic Technology Co., Ltd

<https://www.hq-dz.com>

phone: 15812872448

TITLE:

轻触开关

PART NO: HQ-TS-D008

DRAWING NO: 6\*6\*H脚长3.0

DRAWN:

DATE:

18-10-08

UNIT:  
mm

CHECKED:

DATE:

18-10-08

SCALE:  
FULL

APPROVED:

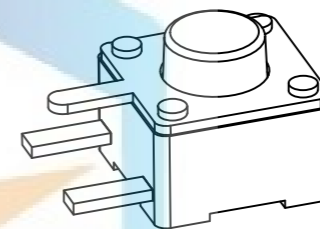
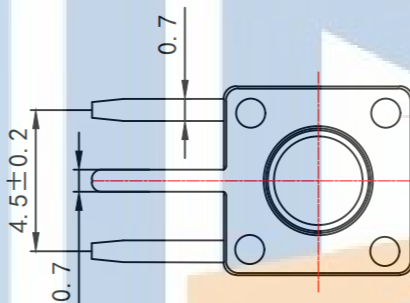
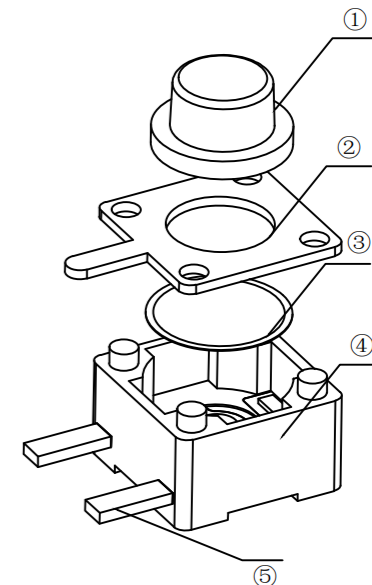
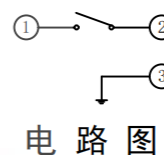
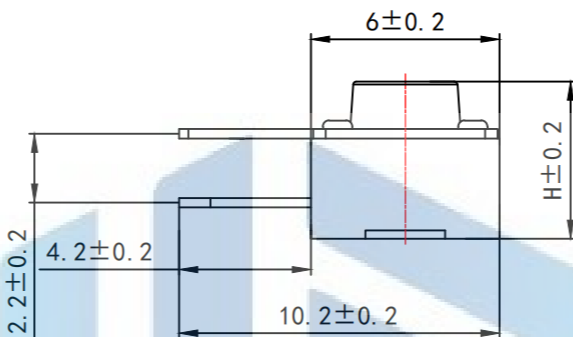
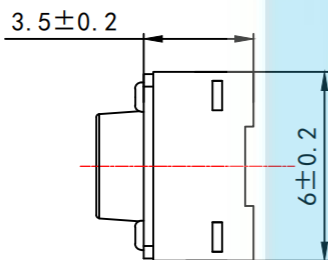
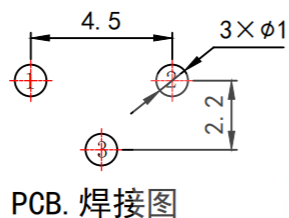
DATE:

18-10-08

SIZE:  
A4

RoHS2.0  
Compliant

H
4.3
4.5
5.0
5.5
6.0
6.5
7.0



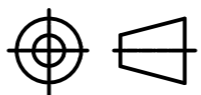
Key Technical Specifications:

1. Rating: 50mA DC12V
2. Contact resistance:  $\leq 50\text{m}\Omega$
3. Operating force:  $250 \pm 40\text{gf}$
4. Itinerary:  $0.25 \pm 0.1\text{mm}$
5. Insulation resistance:  $\geq 100\text{M}\Omega$
6. Electrical strength: 250V 50HZ 1Min.
7. life span: 100,000 Cycles

TOLERANCE

X. XXX	$\pm 0.05$
X. XX	$\pm 0.15$
X. X	$\pm 0.20$
X.	$\pm 0.30$
ANGLE	$\pm 5.0^\circ$

PROTECTON



东莞市恒祺电子科技有限公司

Dongguan Hengqi Electronic Technology Co., Ltd

<https://www.hq-dz.com>

phone: 15812872448

TITLE:

轻触开关

PART NO: HQ-TS-D008

DRAWING NO: 6\*6\*H脚长4.2

DRAWN:

DATE:

18-10-08

UNIT:  
mm

CHECKED:

DATE:

18-10-08

SCALE:  
FULL

APPROVED:

DATE:

18-10-08

SIZE:  
A4