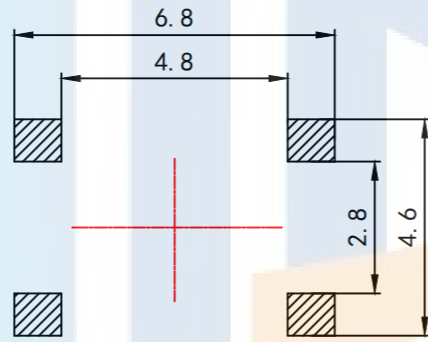
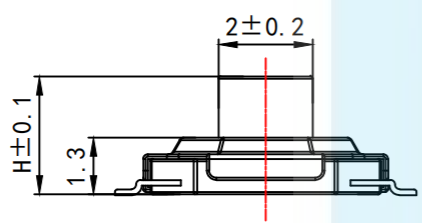
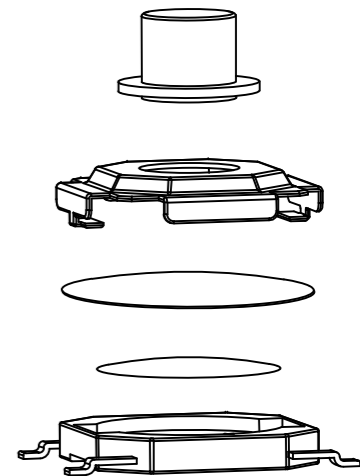
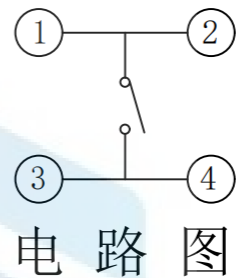
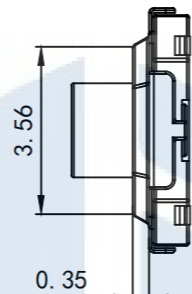
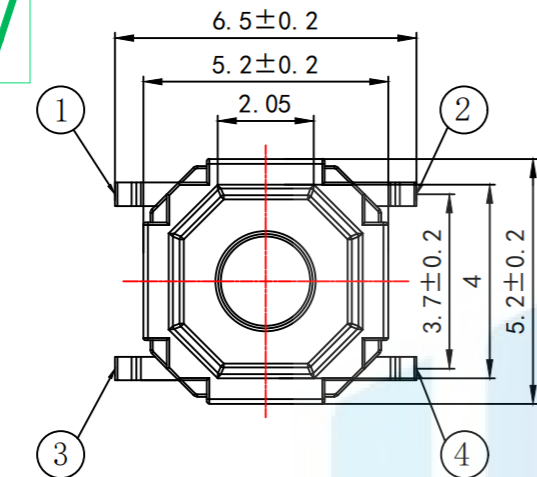


RoHS2.0
Compliant

H	
1.5	1.6
1.7	1.8
1.9	2.0
2.5	3.0
3.5	3.7
4.0	4.3
4.5	5.0
5.5	6.0
6.5	7.0
7.5	8.0



PCB. 焊接图

Key Technical Specifications:

1. Rating: 50mA DC12V
2. Contact resistance: $\leq 50 \Omega$
3. Operating force: $160 \pm 30\text{gf} \& 250 \pm 50\text{gf}$
4. Itinerary: $0.20 \pm 0.1\text{mm}$
5. Insulation resistance: $\geq 100\text{M}\Omega$
6. Electrical strength: 250V 50HZ 1Min.
7. life span: 500,000 Cycles

TOLERANCE X. XXX ± 0.05 X. XX ± 0.15 X. X ± 0.20 X. ± 0.30 ANGLE $\pm 5.0^\circ$		东莞市恒祺电子科技有限公司 Dongguan Hengqi Electronic Technology Co., Ltd			
		https://www.hq-dz.com		phone: 15812872448	
PROTECTON 	TITLE: 轻触开关		PART NO: HQ-TS-C006		
	DRAWN:		DRAWING NO: 5. 2*5. 2*H塑胶头		
	CHECKED:	DATE: 18-10-08	UNIT: mm	SCALE: FULL	
APPROVED:	DATE: 18-10-08	DATE: 18-10-08	SIZE: A4		