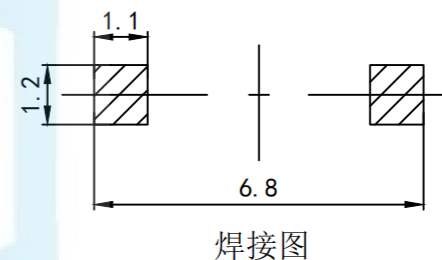
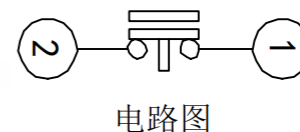
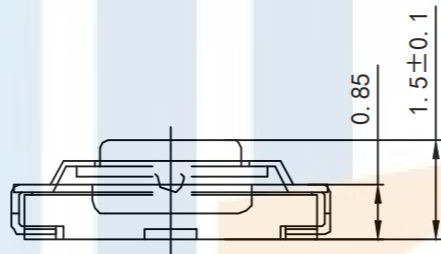
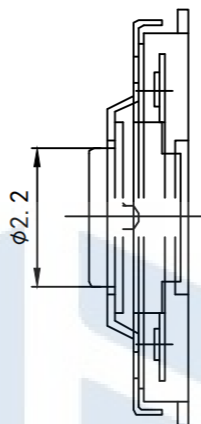
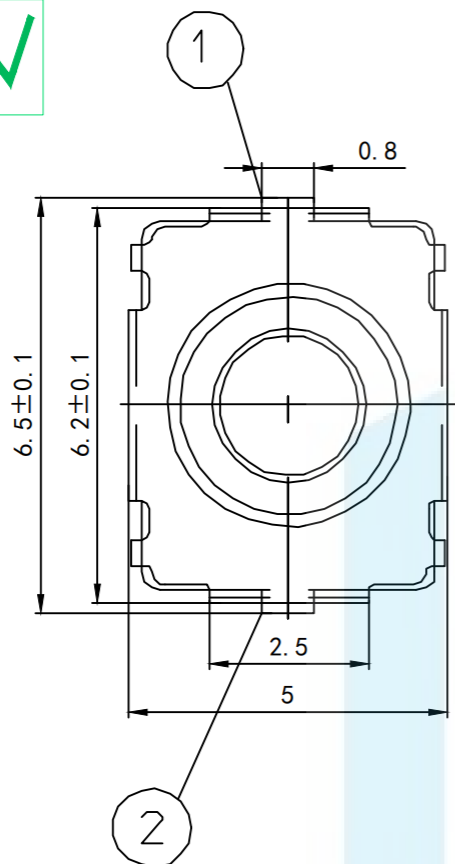


RoHS2.0  
Compliant ✓



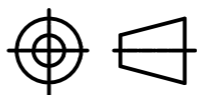
Key Technical Specifications:

1. Rating: 50mA DC12V
2. Contact resistance:  $\leq 50 \Omega$
3. Operating force:  $160 \pm 30 \text{gf} & 250 \pm 50 \text{gf}$
4. Itinerary:  $0.20 \pm 0.1 \text{mm}$
5. Insulation resistance:  $\geq 100 \text{M}\Omega$
6. Electrical strength: 250V 50HZ 1Min.
7. life span: 500,000 Cycles

TOLERANCE

X. XXX	$\pm 0.05$
X. XX	$\pm 0.15$
X. X	$\pm 0.20$
X.	$\pm 0.30$
ANGLE	$\pm 5.0^\circ$

PROTECTON



东莞市恒祺电子科技有限公司

Dongguan Hengqi Electronic Technology Co., Ltd

<https://www.hq-dz.com>

phone: 15812872448

TITLE:

轻触开关

PART NO: HQ-TS-B026

DRAWING NO: 5\*6\*1.5常闭

DRAWN:

DATE:

18-10-08

UNIT:  
mm

CHECKED:

DATE:

18-10-08

SCALE:  
FULL

APPROVED:

DATE:

18-10-08

SIZE:  
A4