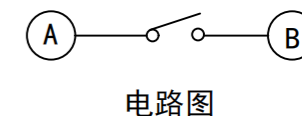
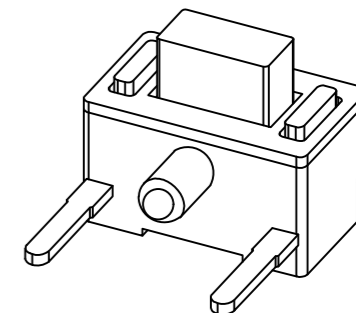
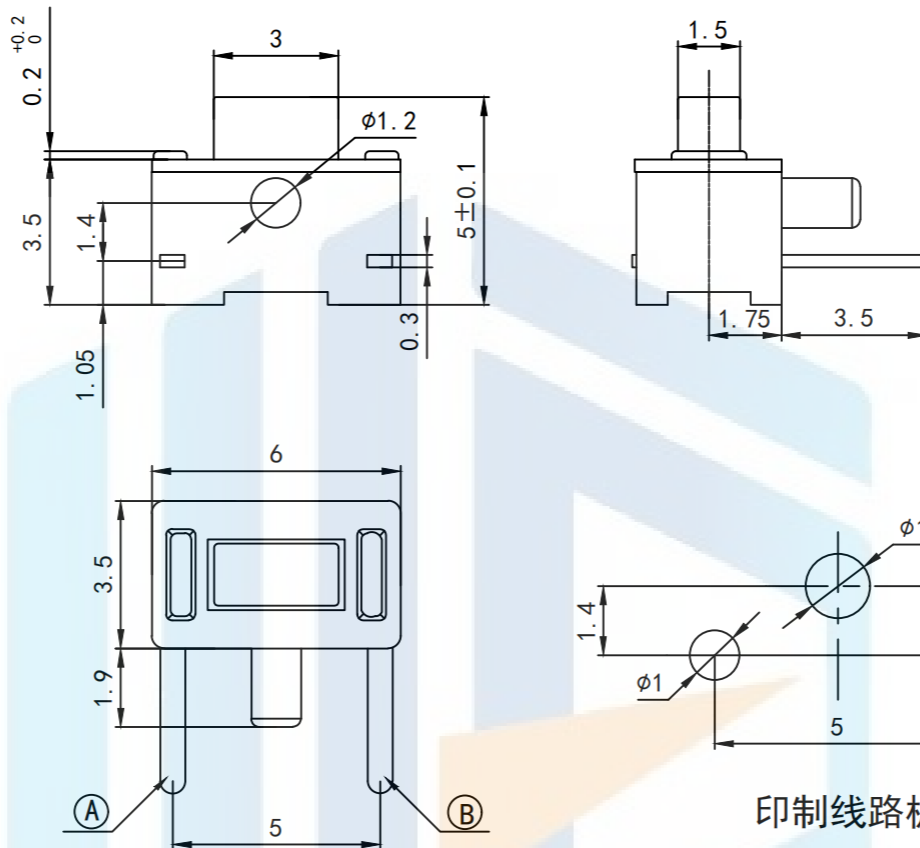
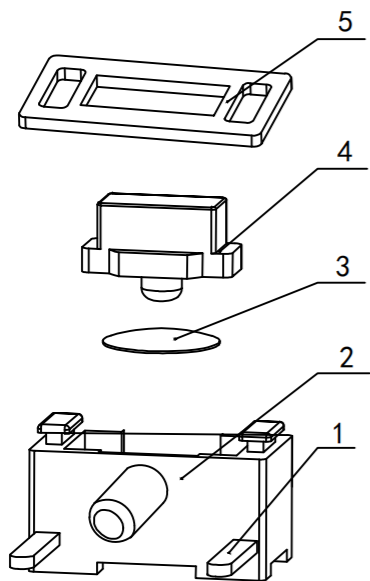


RoHS2.0
Compliant



印制线路板

1. Rating: DC12V 50mA.
2. Travel: 0.2 +0.1mm.
3. Operating Force: 250+50gf
4. Contact Resistance: 100Ω Max.
5. Life: 50,000 Cycles Min.

TOLERANCE			东莞市恒祺电子科技有限公司		
X. XXX	±0.05		Dongguan Hengqi Electronic Technology Co., Ltd		
X. XX	±0.15	https://www.hq-dz.com		phone: 15812872448	
X. X	±0.20	TITLE: 轻触开关		PART NO: HQ-TS-B016	
X.	±0.30			DRAWING NO: 3*6*H带柱	
ANGLE	±5.0°	DRAWN:	DATE:	18-10-08	UNIT: mm
	PROTECTON	CHECKED:	DATE:	18-10-08	SCALE: FULL
		APPROVED:	DATE:	18-10-08	SIZE: A4