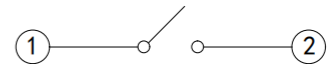
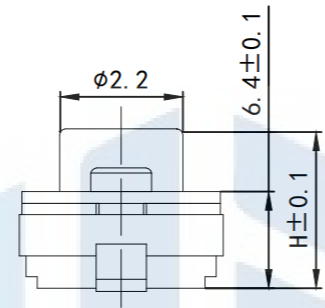
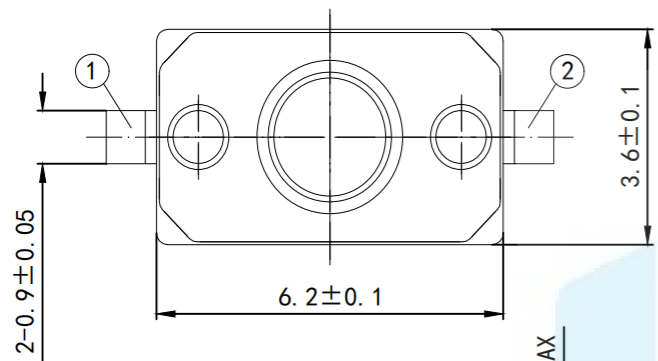
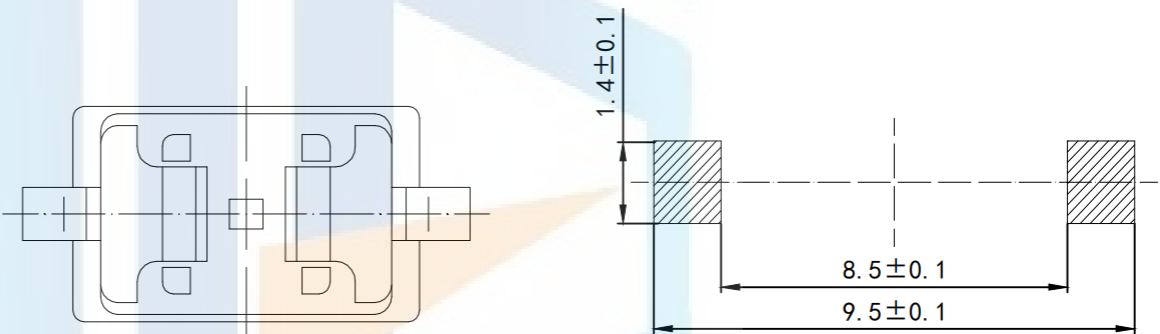
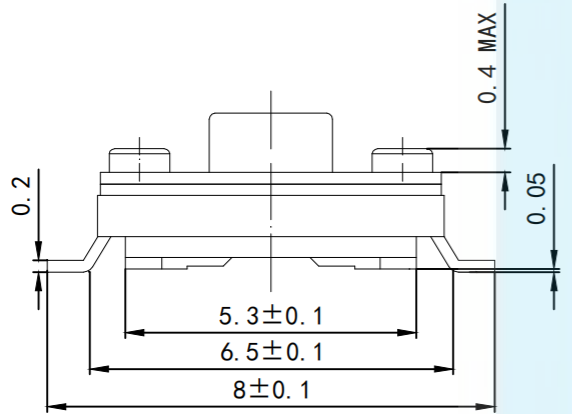


RoHS2.0
Compliant


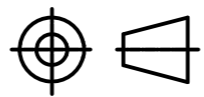


电路原理图



PCB. 焊接尺寸图

NOTE
1. RATING: DC 12V 50mA
2. CONTACT RESISTANCE: 100mΩ MAX

TOLERANCE		 东莞市恒祺电子科技有限公司 Dongguan Hengqi Electronic Technology Co., Ltd		
X. XXX	±0.05			
X. XX	±0.15	https://www.hq-dz.com phone: 15812872448		
X. X	±0.20	TITLE: 轻触开关		
X.	±0.30	PART NO: HQ-TS-B010		
ANGLE	±5.0°	DRAWING NO: 3*6*H		
PROTECTON 	DRAWN:	DATE:	18-10-08	UNIT: mm
	CHECKED:	DATE:	18-10-08	SCALE: FULL
	APPROVED:	DATE:	18-10-08	SIZE: A4