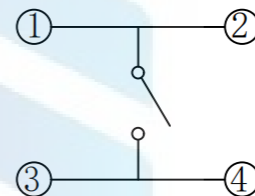
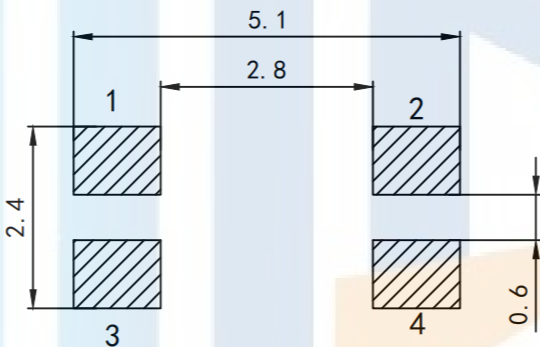
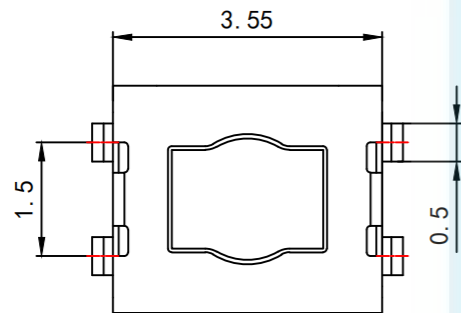
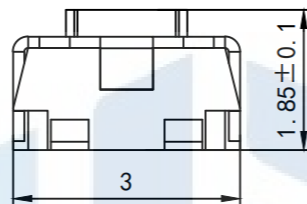
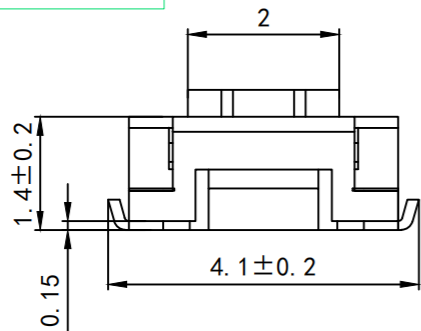
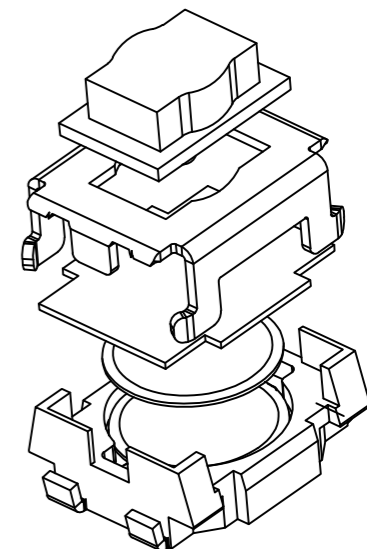


RoHS2.0
Compliant



电路图



P. C. B

Key Technical Specifications:

1. Rating: 50mA DC12V
2. Contact resistance: $\leq 50 \Omega$
3. Operating force: $250 \pm 40 \text{gf}$
4. Itinerary: $0.20 \pm 0.1 \text{mm}$
5. Insulation resistance: $\geq 100 \text{M}\Omega$
6. Electrical strength: 250V 50HZ 1Min.
7. life span: 50,000 Cycles

TOLERANCE X. XXX ± 0.05 X. XX ± 0.15 X. X ± 0.20 X. ± 0.30 ANGLE $\pm 5.0^\circ$		东莞市恒祺电子科技有限公司 Dongguan Hengqi Electronic Technology Co., Ltd		
		https://www.hq-dz.com phone: 15812872448		
PROTECTON 	TITLE: 轻触开关		PART NO: HQ-TS-A015-1	
	DRAWN:		DRAWING NO: 3*3.55*1.85U脚	
	CHECKED:		DATE: 18-10-08	
APPROVED:		DATE: 18-10-08		UNIT: mm
		DATE: 18-10-08		SCALE: FULL
		DATE: 18-10-08		SIZE: A4