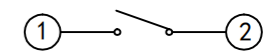
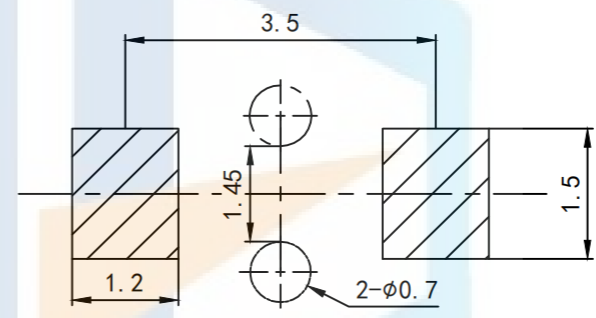
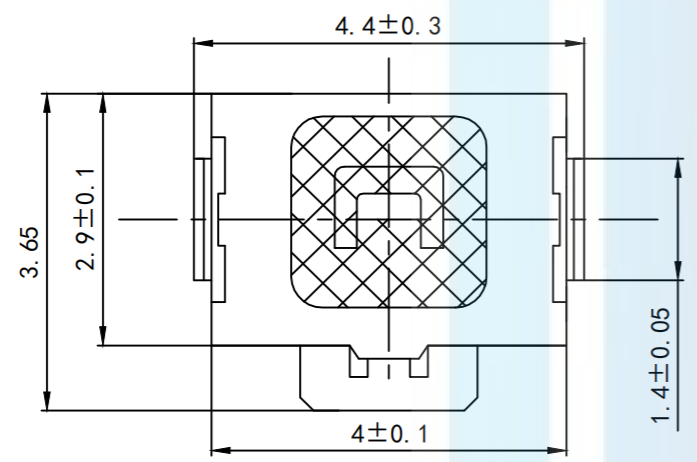
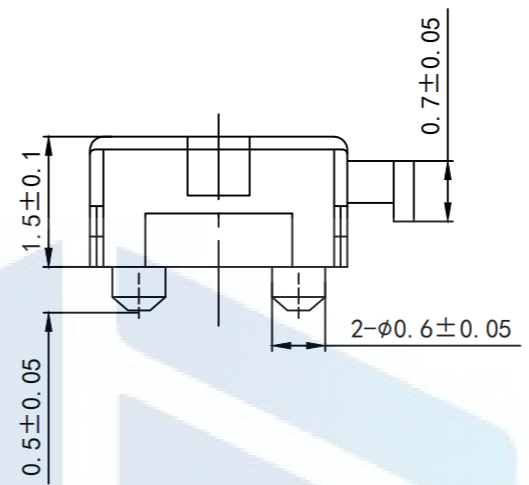
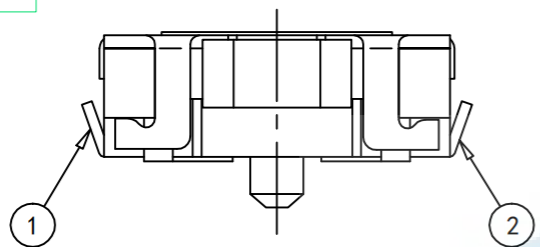


RoHS2.0  
Compliant ✓



电路图

P. C. B 焊接图

- Main technical specifications:
1. Amount setting: 50mA DC12V
  2. Contact resistance:  $\leq 100m\Omega$
  3. Operation force:  $250 \pm 40gf$
  4. Line length:  $0.25 \pm 0.1mm$
  5. Insulation resistance:  $\geq 100M\Omega$
  6. Electrical strength: 250V 50HZ 1Min.
  7. Life span: 50,000 Cycles

TOLERANCE			东莞市恒祺电子科技有限公司		
X. XXX	$\pm 0.05$		Dongguan Hengqi Electronic Technology Co., Ltd		
X. XX	$\pm 0.15$	<a href="https://www.hq-dz.com">https://www.hq-dz.com</a>		phone: 15812872448	
X. X	$\pm 0.20$	TITLE: 轻触开关		PART NO: HQ-TS-A012	
X.	$\pm 0.30$			DRAWING NO: 3*4*3.65小龟U脚	
ANGLE	$\pm 5.0^\circ$				
PROTECTON		DRAWN:	DATE:	18-10-08	UNIT: mm
		CHECKED:	DATE:	18-10-08	SCALE: FULL
		APPROVED:	DATE:	18-10-08	SIZE: A4