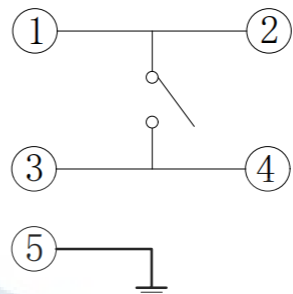
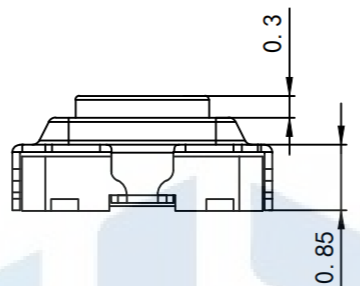
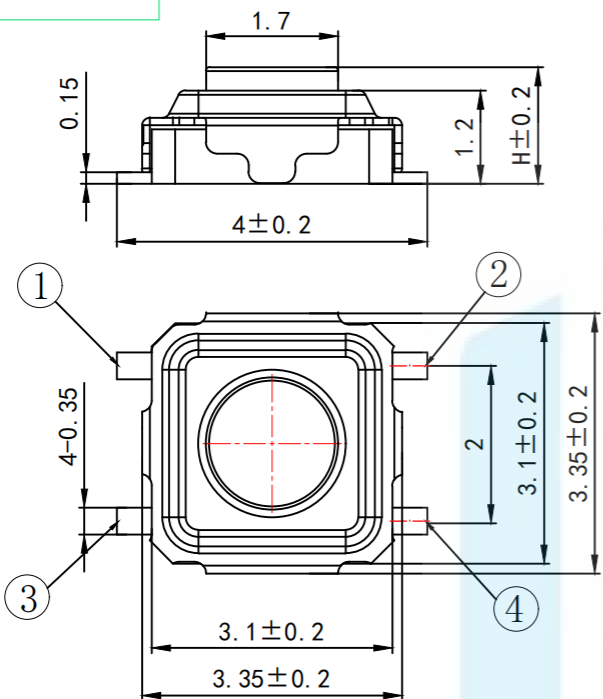
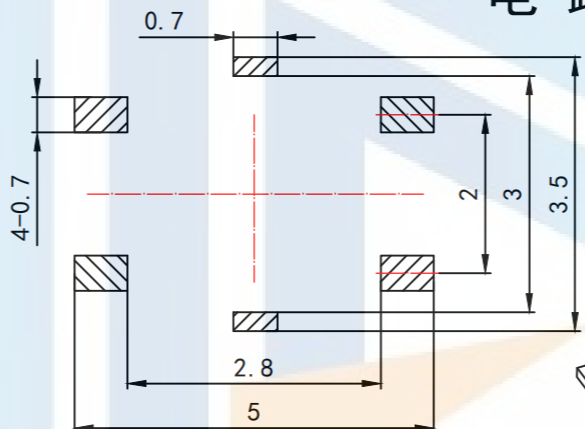
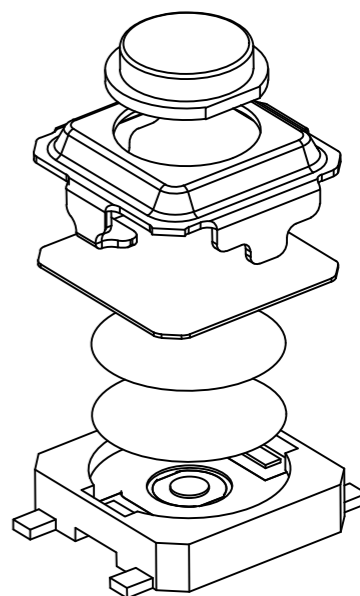


RoHS2.0
Compliant

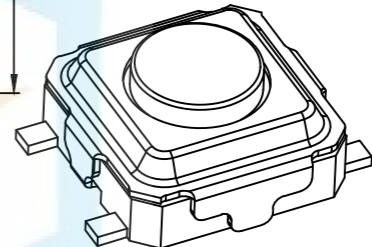
H
1.5
1.7
2.0
3.4




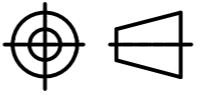
电路图



PCB. 焊接图



- Key Technical Specifications:
1. Rating: 50mA DC12V
 2. Contact resistance: $\leq 100m\Omega$
 3. Operating force: $160 \pm 30gf$
 4. Itinerary: $0.20 \pm 0.1mm$
 5. Insulation resistance: $\geq 100M\Omega$
 6. Electrical strength: 250V 50HZ 1Min.
 7. life span: 100,000 Cycles

TOLERANCE X. XXX ± 0.05 X. XX ± 0.15 X. X ± 0.20 X. ± 0.30 ANGLE $\pm 5.0^\circ$		东莞市恒祺电子科技有限公司 Dongguan Hengqi Electronic Technology Co., Ltd			
		https://www.hq-dz.com		phone: 15812872448	
PROTECTON 		TITLE: 轻触开关		PART NO: HQ-TS-A007A	
DRAWN:		DATE: 18-10-08		UNIT: mm	
CHECKED:		DATE: 18-10-08		SCALE: FULL	
APPROVED:		DATE: 18-10-08		SIZE: A4	
DRAWING NO: 3*3*H铜头					