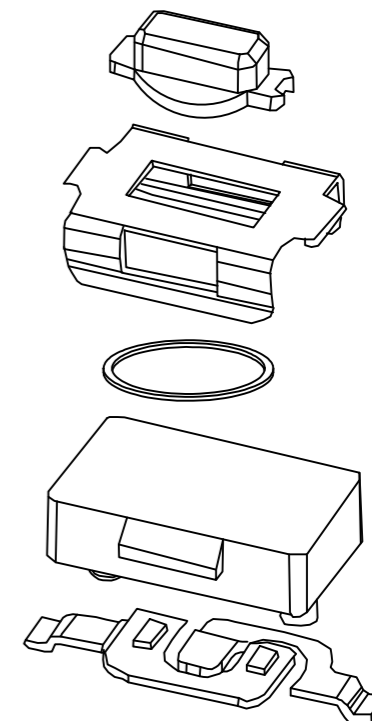
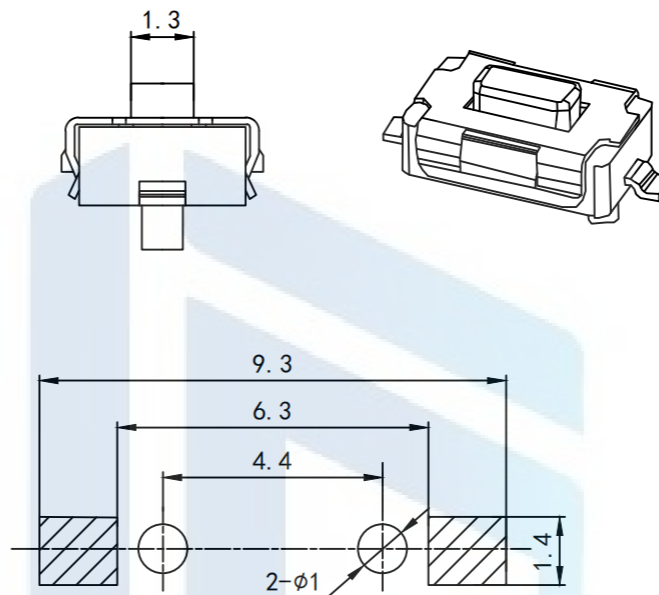
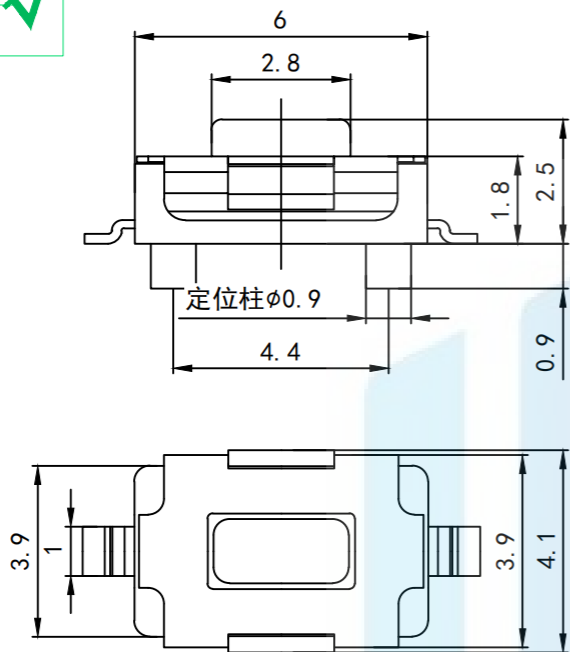
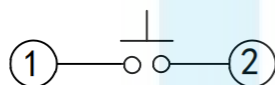


RoHS2.0
Compliant



印制线路板



电路图

Technical Requirements:

1. The surface of the plastic parts is smooth and clean, without scratches, splashes, deformation, affecting the appearance and performance and other defects.
2. Rated current: 50mA. 12V DC, insulation resistance 100MΩmin, 100V DC, dielectric strength 250V AC for 1min, contact resistance 100mΩ max;
3. The switch feels obvious, the gear is clear and reliable, there is no stagnation, and it should be able to return quickly after eliminating external force.

TOLERANCE			东莞市恒祺电子科技有限公司		
X. XXX	±0.05		Dongguan Hengqi Electronic Technology Co., Ltd		
X. XX	±0.15	https://www.hq-dz.com		phone:15812872448	
X. X	±0.20	TITLE: 轻触开关		PART NO:HQ-TS-B007E	
X.	±0.30			DRAWING NO:4*6*2.5定位	
ANGLE	±5.0°				
PROTECTON		DRAWN:	DATE:	18-10-08	UNIT: mm
		CHECKED:	DATE:	18-10-08	SCALE: FULL
		APPROVED:	DATE:	18-10-08	SIZE: A4