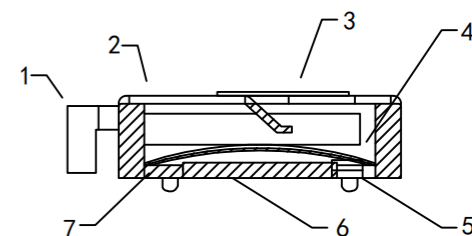
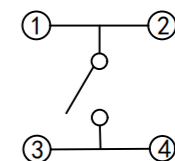
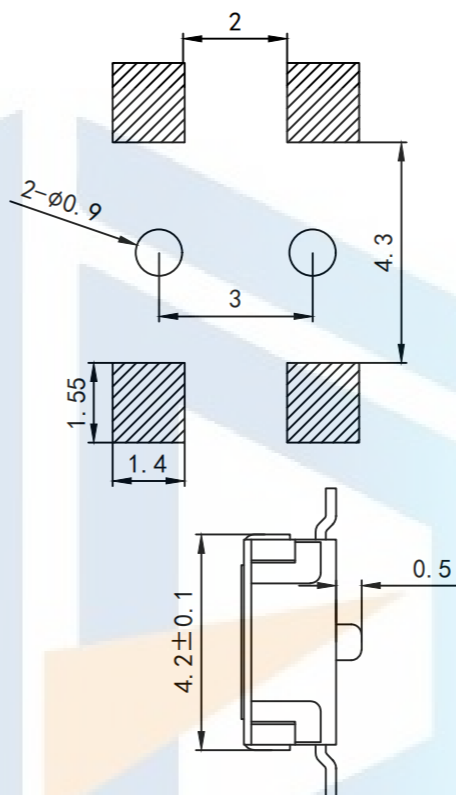
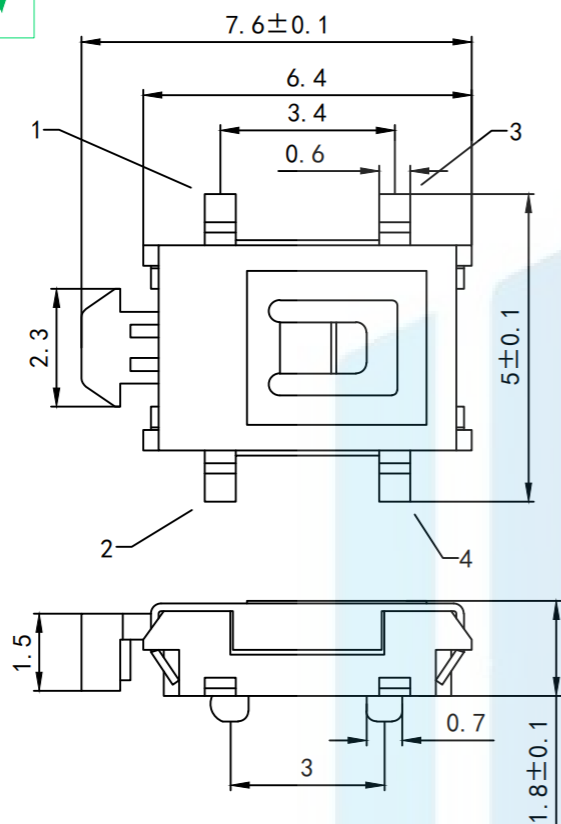


RoHS2.0
Compliant



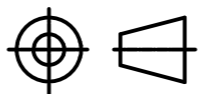
Remarks:

1. Rated current, Voltage: DC 12V 50mA
2. Contact resistance: 100mQ
3. Insulation resistance: >100MQ
4. The intensity of operations: 25050gf
5. Life requirements: 50000次
6. Withstand voltage: AC 250V 1分钟
7. All materials comply with RoHS standards

TOLERANCE

X. XXX	±0.05
X. XX	±0.15
X. X	±0.20
X.	±0.30
ANGLE	±5.0°

PROTECTON



东莞市恒祺电子科技有限公司

Dongguan Hengqi Electronic Technology Co., Ltd

<https://www.hq-dz.com>

phone:15812872448

TITLE:
轻触开关

PART NO:HQ-TS-A024

DRAWING NO:4*7*7.6大龟

DRAWN:

DATE: 18-10-08

UNIT:
mm

CHECKED:

DATE: 18-10-08

SCALE:
FULL

APPROVED:

DATE: 18-10-08

SIZE:
A4