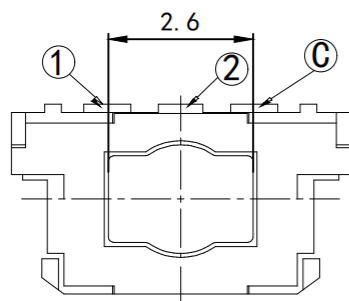
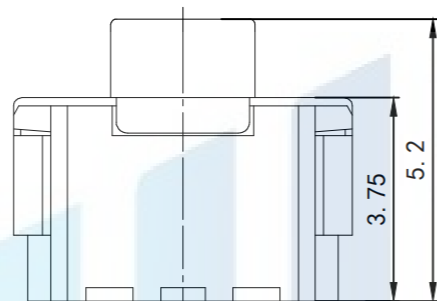
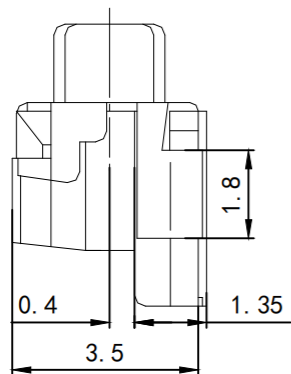
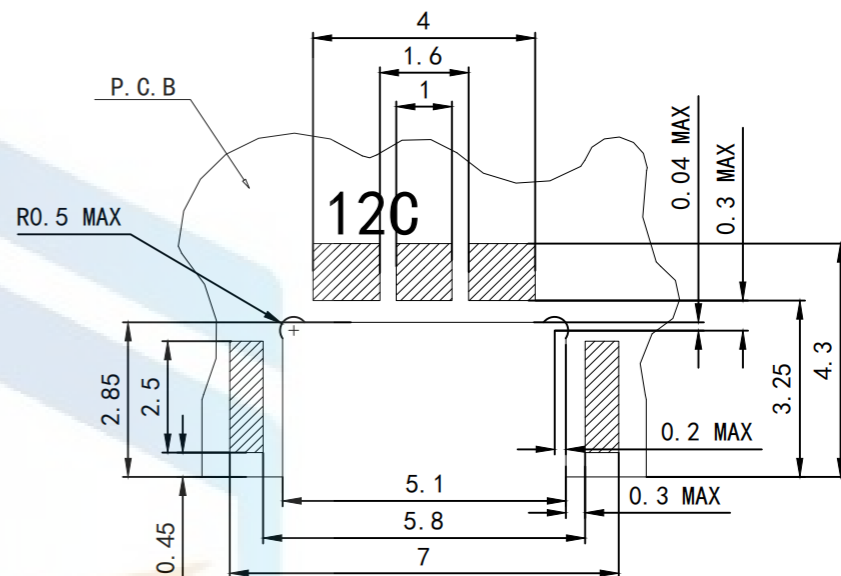


RoHS2.0
Compliant ✓



电路图



PCB 焊接图

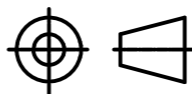
Main technical specifications:

1. Rating :50mA DC12V
2. Contact resistance : $\leq 100\text{m}\Omega$
3. Operating force : $250 \pm 40\text{gf}$
4. Travel: 0.25oz 0.1mm
5. Insulation resistance : $\geq 100\text{M}\Omega$
6. Electrical strength :250V 50HZ 1Min.
7. Life span :25,000 Cycles

TOLERANCE

X. XXX	± 0.05
X. XX	± 0.15
X. X	± 0.20
X.	± 0.30
ANGLE	$\pm 5.0^\circ$

PROTECTON



东莞市恒祺电子科技有限公司

Dongguan Hengqi Electronic Technology Co., Ltd

<https://www.hq-dz.com>

phone:15812872448

TITLE:

轻触开关

PART NO:HQ-TS-A023

DRAWING NO:3*5*5沉板梅花头

DRAWN:

CHECKED:

APPROVED:

DATE:

DATE:

DATE:

18-10-08

18-10-08

18-10-08

UNIT:
mm

SCALE:
FULL

SIZE:
A4