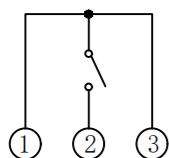
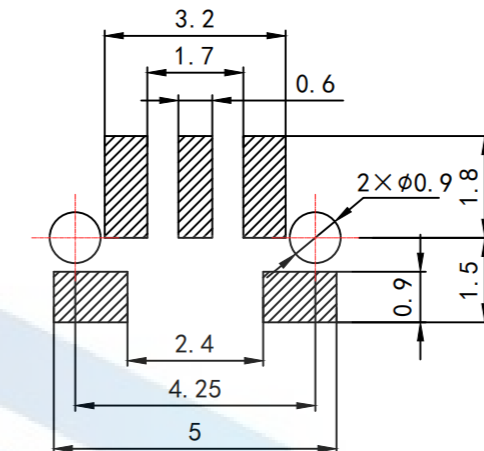
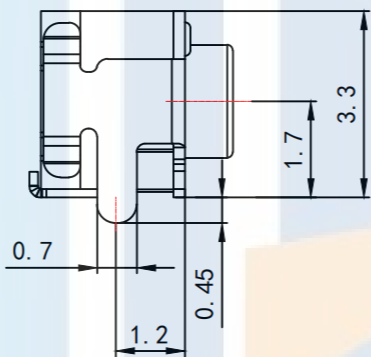
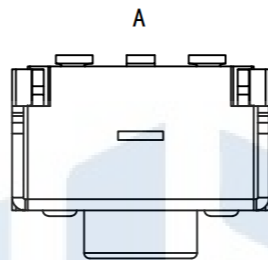
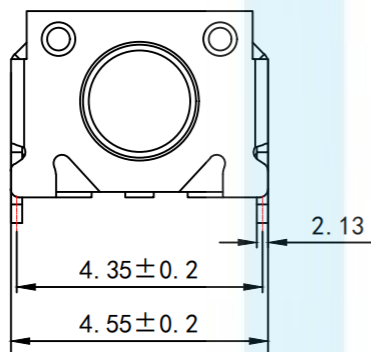
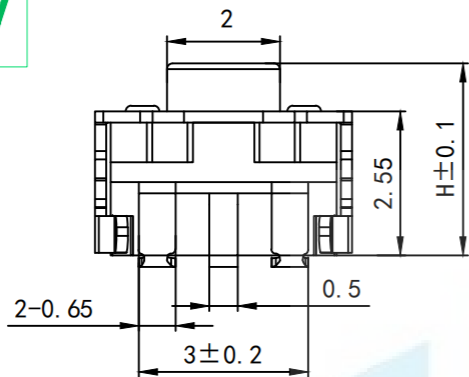


RoHS2.0
Compliant

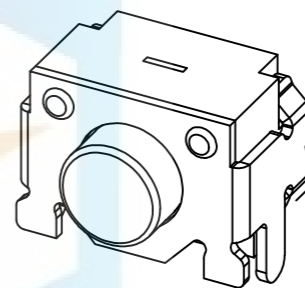
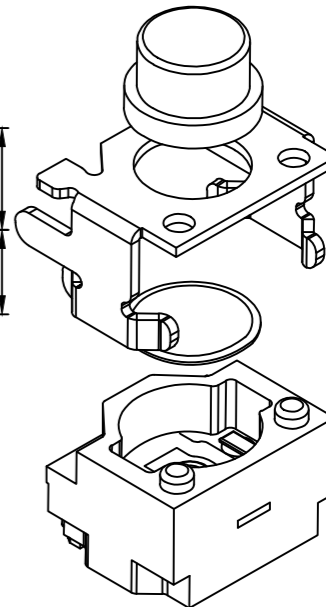
H
3.4
4.0
5.0
6.0



电路图
SCHEMATEC



印制线路板开孔
P. C. B. HOLE DETAIL



Key Technical Specifications:

1. Rating: 50mA DC12V
2. Contact resistance: $\leq 100m\Omega$
3. Operating force: $180 \pm 50gf$
4. Itinerary: $0.20 \pm 0.1mm$
5. Insulation resistance: $\geq 100M\Omega$
6. Electrical strength: 250V 50HZ 1Min.
7. life span: 100,000 Cycles

TOLERANCE X. XXX ± 0.05 X. XX ± 0.15 X. X ± 0.20 X. ± 0.30 ANGLE $\pm 5.0^\circ$		东莞市恒祺电子科技有限公司 Dongguan Hengqi Electronic Technology Co., Ltd		
		https://www.hq-dz.com phone: 15812872448		
PROTECTON 	DRAWN: CHECKED: APPROVED:	笑脸开关		
		PART NO: HQ-TS-A020-1		
		DRAWING NO: 3*4*H硅胶		
		DATE:	18-10-08	UNIT: mm
		DATE:	18-10-08	SCALE: FULL
		DATE:	18-10-08	SIZE: A4