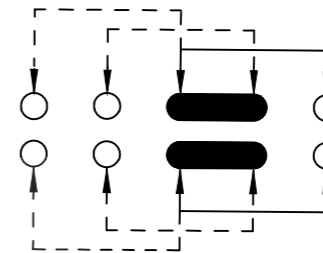
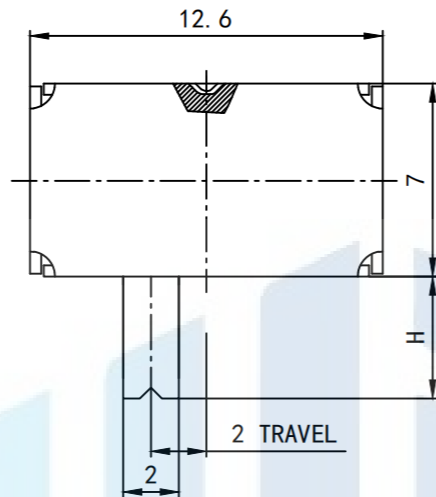
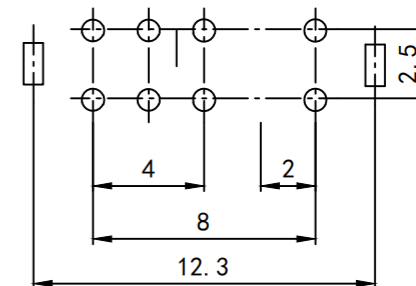
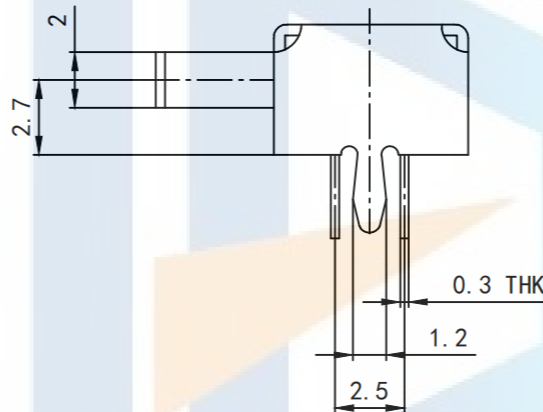
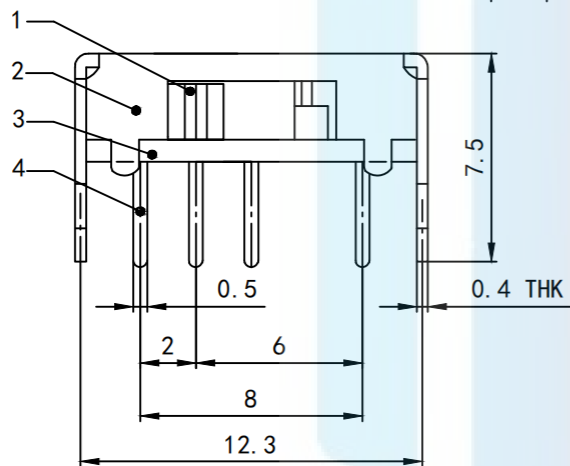


RoHS2.0  
Compliant



SCHEMATIC (SHORTING)



P. C. B LAYOUT  
BOTTOM VIEW

**SPECIFICATION:**

1. Rating: DC 50V 0.3A
2. Contact resistance:  $\leq 100 \text{ m}\Omega$
3. Insulation resistance:  $\geq 100 \text{ m}\Omega$  (DC 250V/Min)
4. Electronics life: 5000 cycles
5. Operation force:  $250 \pm 100 \text{ gf}$
6. All materials are Rohs compliant

**TOLERANCE**

X. XXX	$\pm 0.05$
X. XX	$\pm 0.15$
X. X	$\pm 0.20$
X.	$\pm 0.30$
ANGLE	$\pm 5.0^\circ$

**PROTECTON**



东莞市恒祺电子科技有限公司

Dongguan Hengqi Electronic Technology Co., Ltd

<https://www.hq-dz.com>

phone: 15812872448

**TITLE:**

拨动开关

PART NO: SK-23D07反向

DRAWING NO: 12.6\*7\*H

DRAWN:

DATE: 18-10-08

UNIT:  
mm

CHECKED:

DATE: 18-10-08

SCALE:  
FULL

APPROVED:

DATE: 18-10-08

SIZE:  
A4