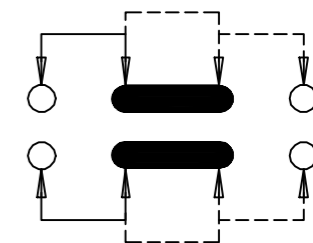
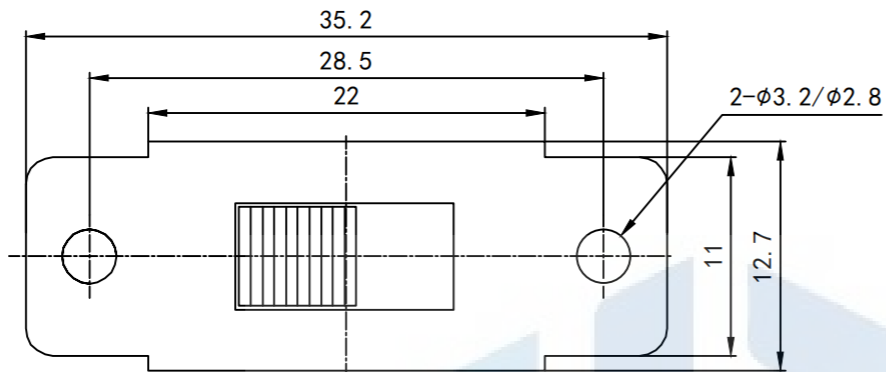
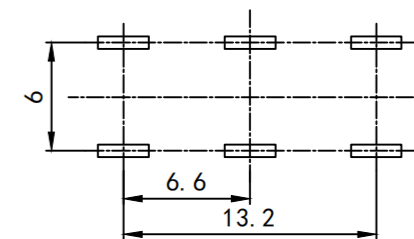
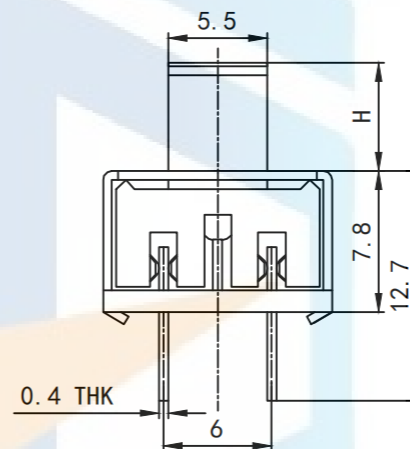
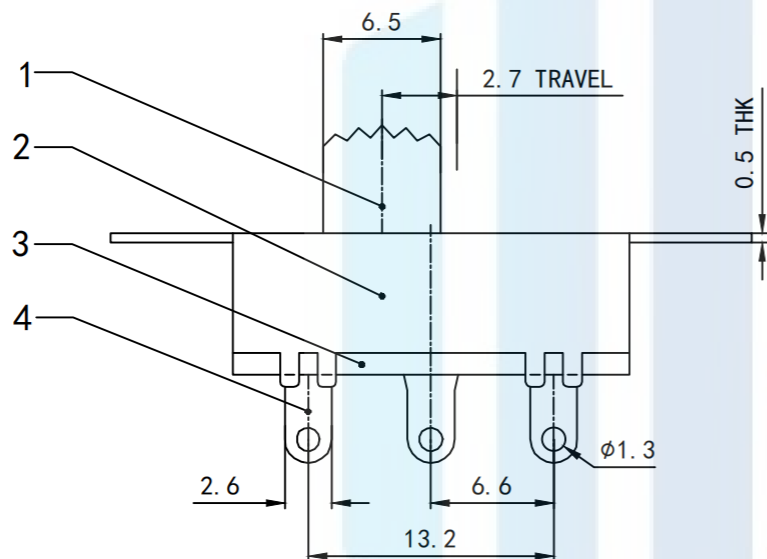


RoHS2.0  
Compliant



SCHEMATIC (NON-SHORTING)



P. C. B LAYOUT  
BOTTOM VIEW

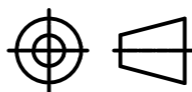
Electrical performance parameters:

1. Rated load : AC125V 3A
2. Contact resistance: less than 100 milliohm
3. Insulation resistance : 100 megohm to \_
- 4 Endurance life pressure : AC 500V
- 5 degrees : 350 ° 100gf
6. Life : 5000 times
7. Wave peak welding : 255 degrees 5

TOLERANCE

X. XXX	±0.05
X. XX	±0.15
X. X	±0.20
X.	±0.30
ANGLE	±5.0°

PROTECTON



东莞市恒祺电子科技有限公司

Dongguan Hengqi Electronic Technology Co., Ltd

<https://www.hq-dz.com>

phone: 15812872448

TITLE:

拨动开关

PART NO: SS-23F19

DRAWING NO: 35.2\*12.7\*H

DRAWN:

DATE: 18-10-08

UNIT:  
mm

CHECKED:

DATE: 18-10-08

SCALE:  
FULL

APPROVED:

DATE: 18-10-08

SIZE:  
A4