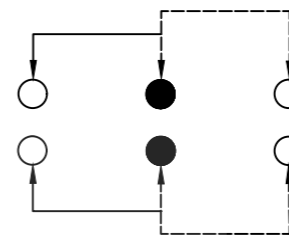
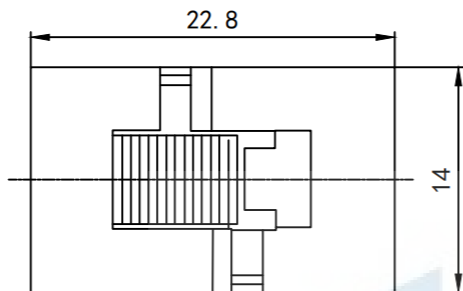
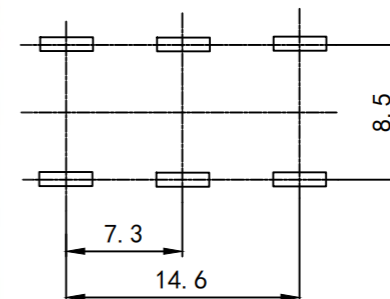
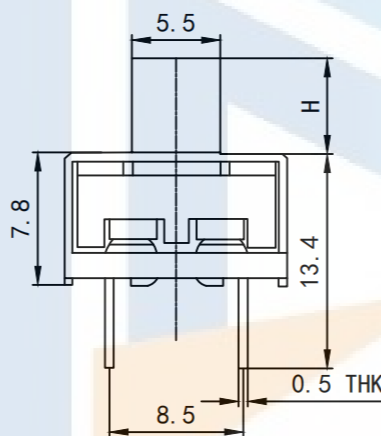
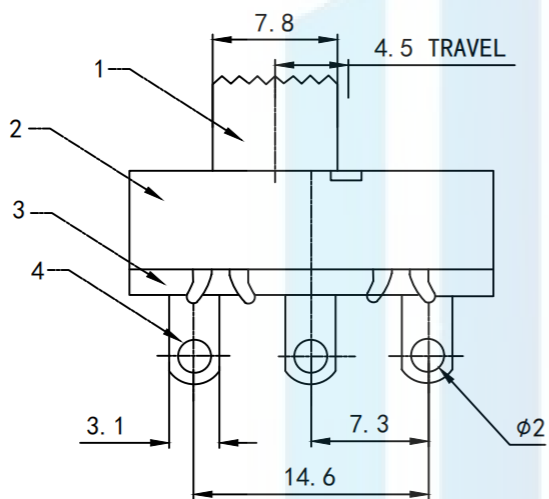


RoHS2.0  
Compliant ✓



SCHEMATIC (NON-SHORTING)



P. C. B LAYOUT

Electrical performance parameters:

1. Rated load :AC125V 3A
2. Contact resistance: less than 100 milliohm
3. Insulation resistance :100 megohm to \_
- 4 Endurance life pressure :AC 500V
- 5 degrees :350 ° 100gf
6. Life :5000 times
7. Wave peak welding :255 degrees 5

<b>TOLERANCE</b>			东莞市恒祺电子科技有限公司			
X. XXX	±0.05		Dongguan Hengqi Electronic Technology Co., Ltd			
X. XX	±0.15	https://www.hq-dz.com		phone:15812872448		
X. X	±0.20	TITLE: 拨动开关		PART NO:SS-22154		
X.	±0.30			DRAWING NO:22.8*14*H		
ANGLE	±5.0°	DRAWN:		DATE: 18-10-08		
<b>PROTECTON</b> 				CHECKED:		DATE: 18-10-08
						APPROVED:
		UNIT: mm				
				SCALE: FULL		
				SIZE: A4		