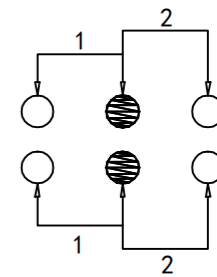
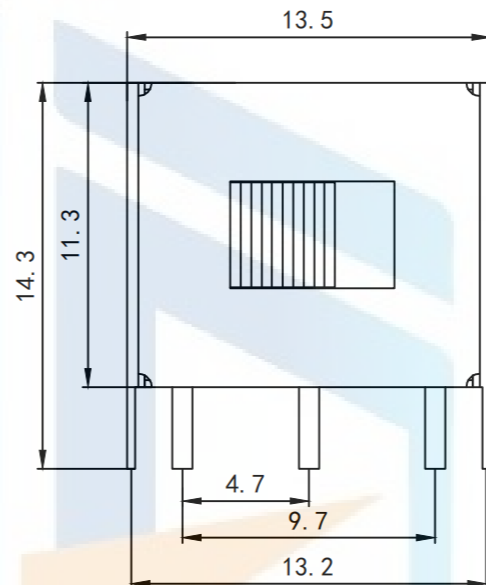
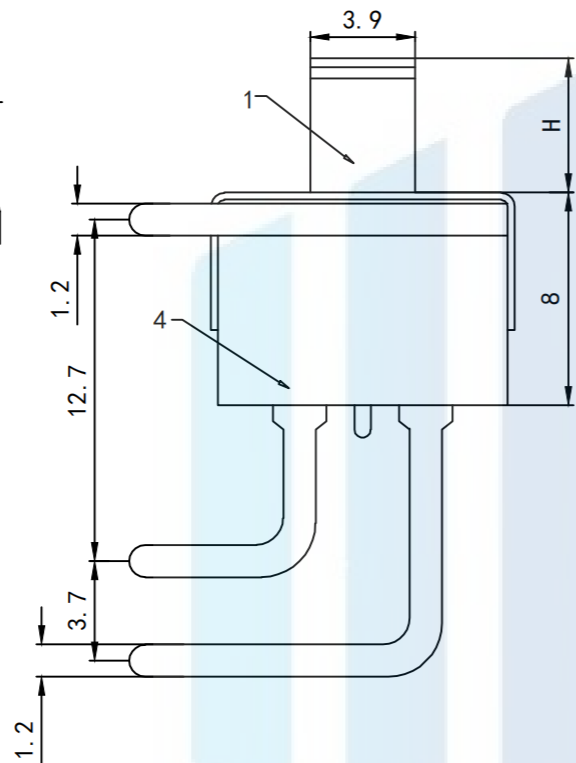
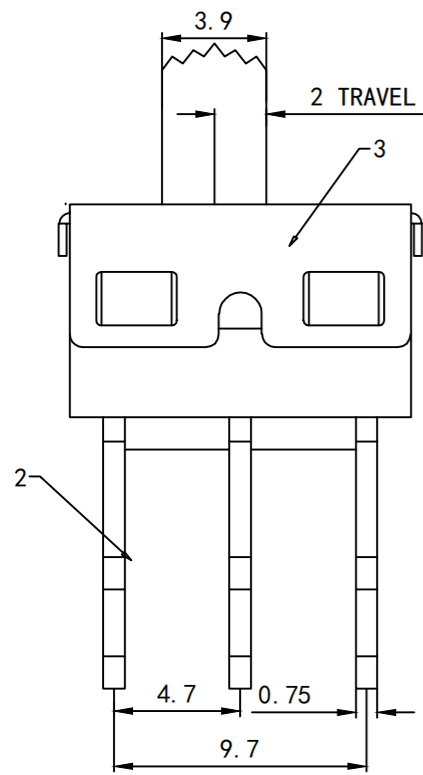
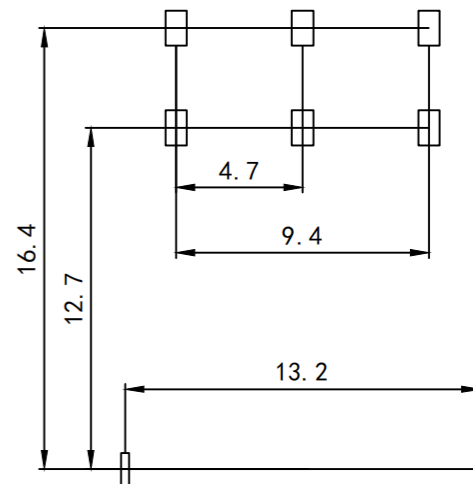


RoHS2.0
Compliant ✓


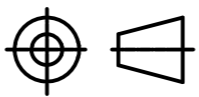


SCHMATIC



Electrical performance parameters:

1. Rated load :AC125V 3A
2. Contact resistance: less than 100 milliohm
3. Insulation resistance: more than 100 megohm
4. Withstand voltage :AC 500V
5. Strength :350 RMB 100gf
6. Life :5000 times
7. Wave peak welding :255 soil 5 degrees

TOLERANCE	X. XXX	±0.05		东莞市恒祺电子科技有限公司 Dongguan Hengqi Electronic Technology Co., Ltd	
	X. XX	±0.15		https://www.hq-dz.com phone:15812872448	
X. X	±0.20		TITLE: 拨动开关	PART NO:SS-22D11	
X.	±0.30			DRAWING NO:13.5*11.3*H	
ANGLE	±5.0°		DRAWN:	DATE:	18-10-08
PROTECTON 			CHECKED:	DATE:	18-10-08
			APPROVED:	DATE:	18-10-08
				UNIT:	mm
				SCALE:	FULL
				SIZE:	A4