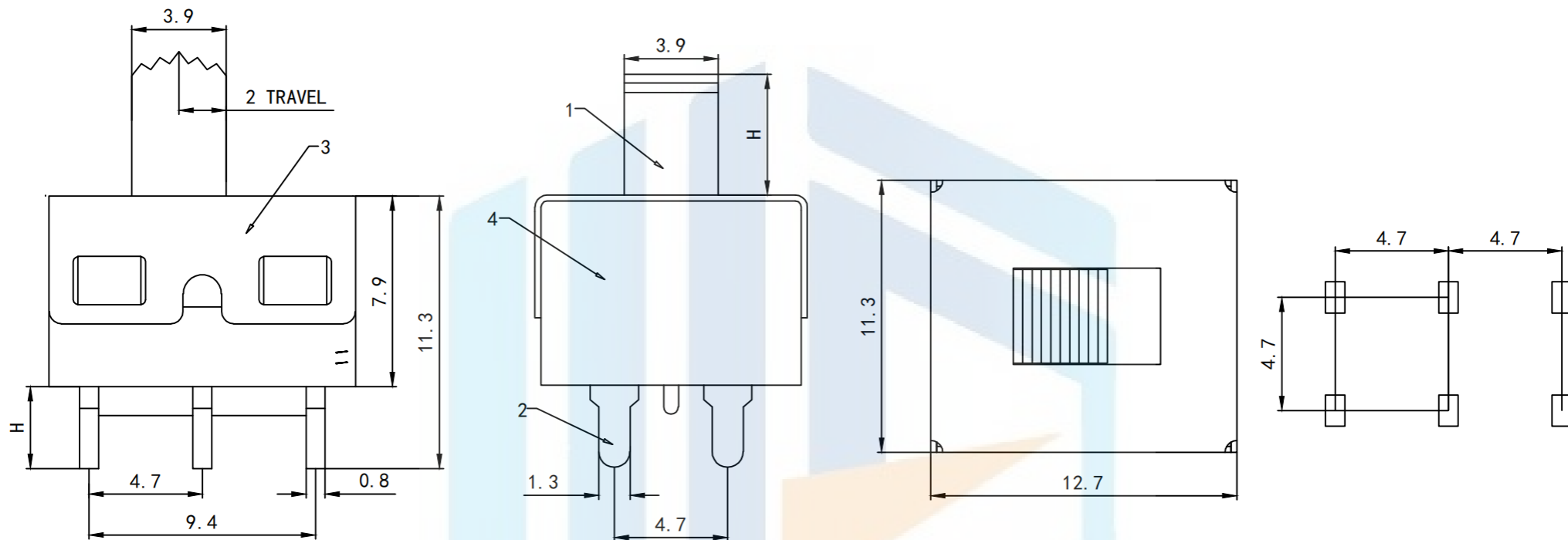


RoHS2.0
Compliant ✓



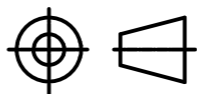
Electrical performance parameters:

1. Rated load :AC125V 3A
2. Contact resistance: less than 100 milliohm
3. Insulation resistance: more than 100 megohm
5. Withstand pressure :AC 500V5 :350 100gf
6. Life :5000 times
7. Wave peak welding :255 soil 5 degrees
8. H-3.5 3.8 7.0

TOLERANCE

X. XXX	±0.05
X. XX	±0.15
X. X	±0.20
X.	±0.30
ANGLE	±5.0°

PROTECTON



东莞市恒祺电子科技有限公司

Dongguan Hengqi Electronic Technology Co., Ltd

<https://www.hq-dz.com>

phone:15812872448

TITLE:

拨动开关

PART NO:SS-22D10

DRAWING NO:12.7*11.3*H

DRAWN:

DATE:

18-10-08

UNIT:
mm

CHECKED:

DATE:

18-10-08

SCALE:
FULL

APPROVED:

DATE:

18-10-08

SIZE:
A4