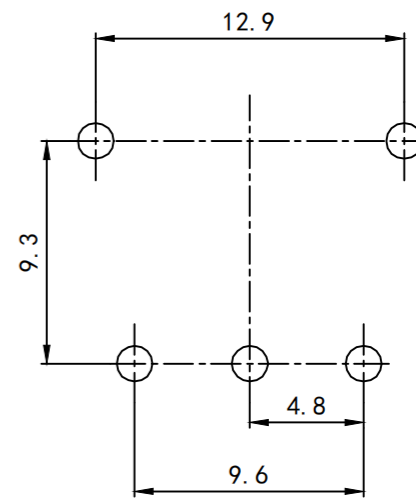
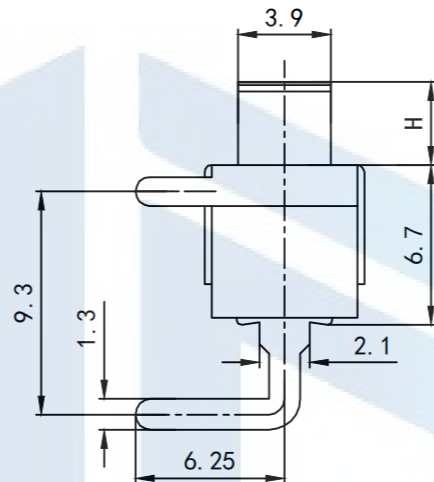
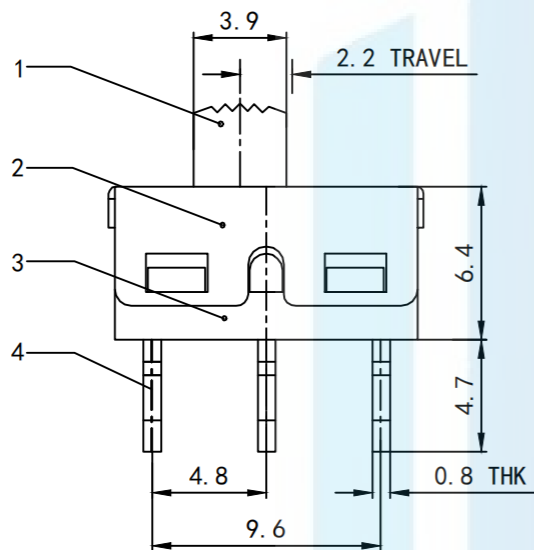
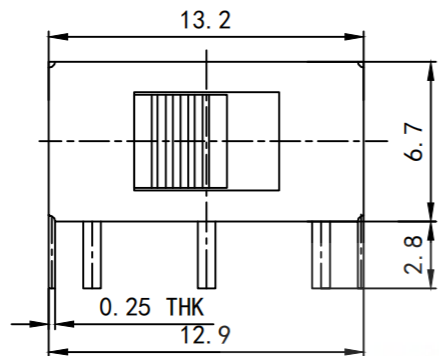
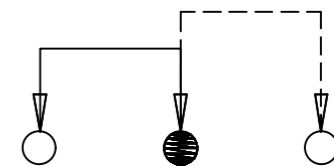


RoHS2.0
Compliant ✓



P. C. B LAYOUT



SCHEMATIC (NON-SHORTING)

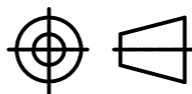
Electrical performance parameters:

1. Rated load : AC125V 3A
2. Contact resistance: less than 100 milliohm
3. Insulation resistance: more than 100 megohm
4. Pressure resistance : AC 500V
5. Strength : 350 ± 100 gf
6. Life span : 5000 times
7. Wave peak welding : 255 ± 5 degrees

TOLERANCE

X. XXX	± 0.05
X. XX	± 0.15
X. X	± 0.20
X.	± 0.30
ANGLE	$\pm 5.0^\circ$

PROTECTON



东莞市恒祺电子科技有限公司

Dongguan Hengqi Electronic Technology Co., Ltd

<https://www.hq-dz.com>

phone: 15812872448

TITLE:

拨动开关

PART NO: SS-12D11

DRAWING NO: 13.2*6.7*H

DRAWN:

DATE:

18-10-08

UNIT:
mm

CHECKED:

DATE:

18-10-08

SCALE:
FULL

APPROVED:

DATE:

18-10-08

SIZE:
A4