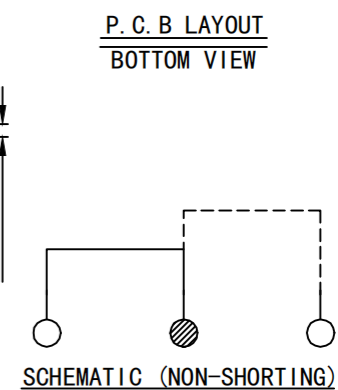
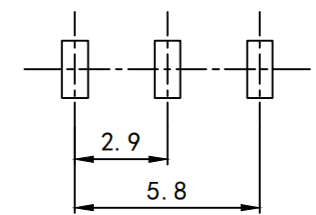
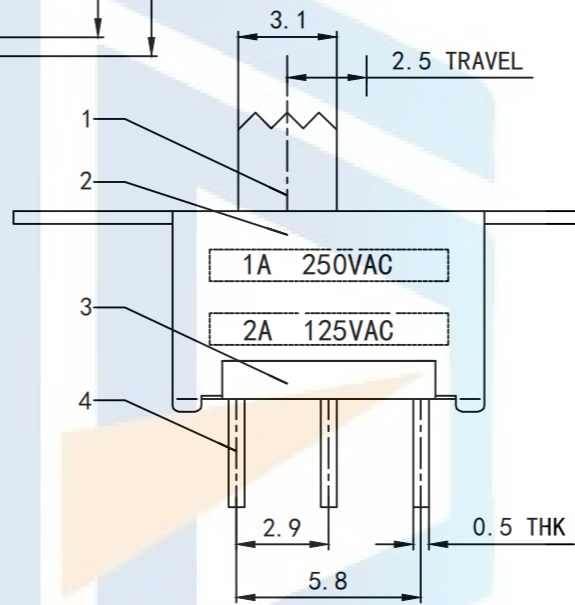
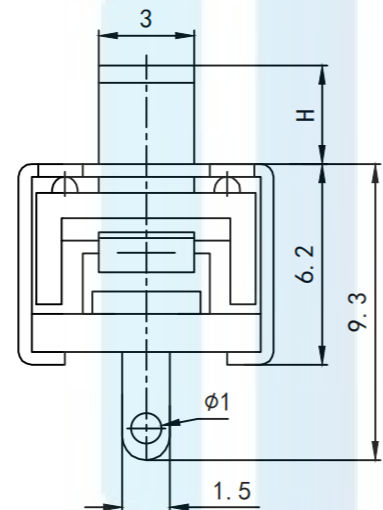
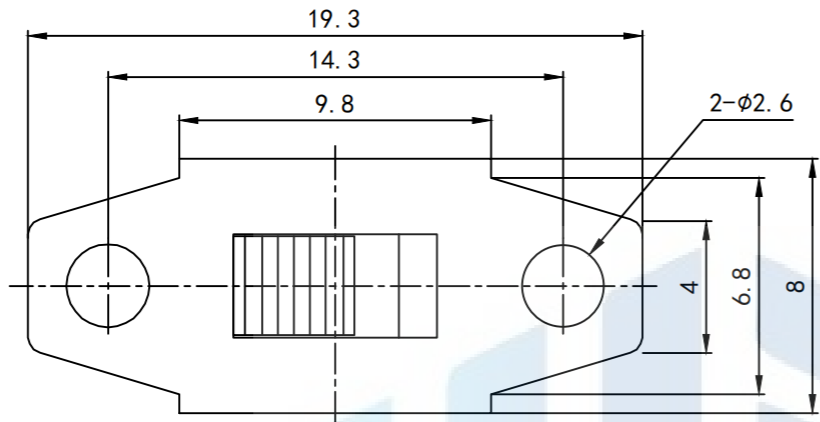


RoHS2.0
Compliant



Rated voltage :1A 250VAC
 Contact resistance :30MΩ MAX less than 30MΩ
 Insulation resistance :100MΩ MIN 100 megohm or more
 Compressive strength :AC500V (50/60Hz) 1 minute sensitivity current is 0.5mA
 Operating temperature: -16°C ±60°C
 Mechanical life: 10,000 cycles

TOLERANCE X. XXX ±0.05 X. XX ±0.15 X. X ±0.20 X. ±0.30 ANGLE ±5.0°	东莞市恒祺电子科技有限公司 Dongguan Hengqi Electronic Technology Co., Ltd	https://www.hq-dz.com phone:15812872448		
		TITLE: 拨动开关 PART NO:19.3*8*H		
PROTECTON 	DRAWN:	DATE:	18-10-08	UNIT: mm
	CHECKED:	DATE:	18-10-08	SCALE: FULL
	APPROVED:	DATE:	18-10-08	SIZE: A4