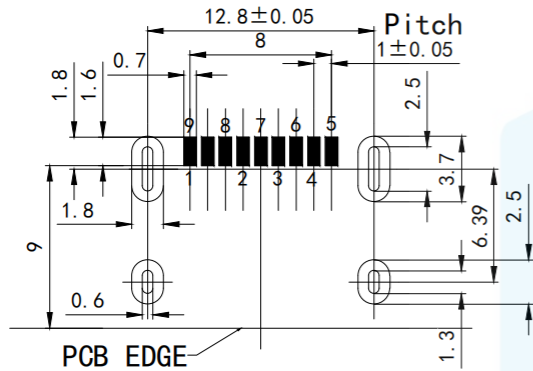


RoHS2.0
Compliant



RECOMMENDED PCB LAYOUT
TOLERANCE: ±0.05mm

NOTE:

1. MATERIAL:

- 1.1 INSULATOR: HIGH TEMPERATURE PLASTIC
- 1.2 CONTACT: BRONZE,
- 1.3 SHELL: SUS201 (T=0.30mm)

2. ELECTRICAL CHARACTERISTICS;

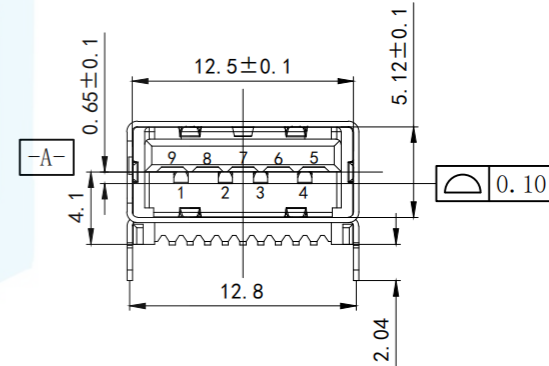
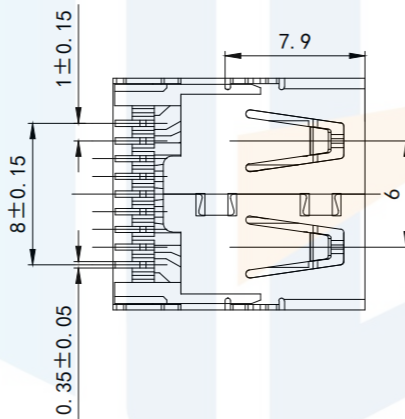
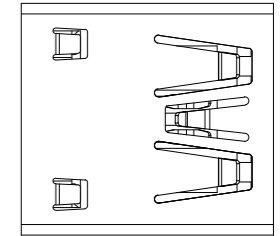
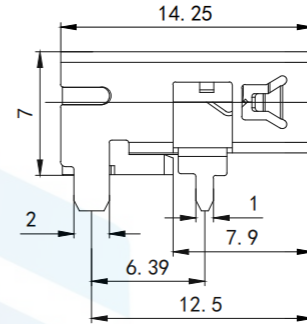
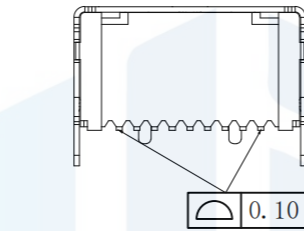
- 2.1 CONTACT RESISTANCE: 30mΩ MAXIMUM
- 2.2 CONTACT CURRENT RATING: 1.5A
- 2.3 DIELECTRIC WITHSTANDING VOLTAGE: 100 V AC R. M. S.
- 2.4 INSULATION RESISTANCE 100 MEGOHMS MIN
- 2.5 OPERATING TEMPERATURE: -40° C ~ 85° C

3. MECHANICAL CHARACTERISTICS:

- 3.1 MATING FORCE: 3.57kgf MAX
- 3.2 UNMATED FORCE: 0.82kgf MIN AFTER TEST
- 3.3 DURABILITY MANDATORY: 1,500 CYCLES
- 3.4 Salt Spray: 24 hours

4. PLATING

- 4.1 TERMINAL:
50u" NICKEL ALL OVER
80u" Tin ON SOLDER AREA
(1~30)u"Au ON CONTACT AREA
- 4.2 SHELL: 50u" NICKEL ALL OVER



3. MECHANICAL CHARACTERISTICS:

- 3.1 MATING FORCE: 3.57kgf MAX
- 3.2 UNMATED FORCE: 0.82kgf MIN AFTER TEST
- 3.3 DURABILITY MANDATORY: 1,500 CYCLES
- 3.4 Salt Spray: 24 hours

4. PLATING

- 4.1 TERMINAL:
50u" NICKEL ALL OVER
80u" Tin ON SOLDER AREA
(1~30)u"Au ON CONTACT AREA
- 4.2 SHELL: 50u" NICKEL ALL OVER

Pin #	SIGNAL NAME
1	VBUS
2	D-
3	D+
4	GND
5	StdA_SSRX-
6	StdA_SSRX+
7	GND_DRAIN
8	StdA_SSTX-
9	StdA_SSTX+
Shell	Shield

TOLERANCE	
X. XXX	±0.05
X. XX	±0.15
X. X	±0.20
X.	±0.30
ANGLE	±5.0°
PROTECTON	

	东莞市恒祺电子科技有限公司 Dongguan Hengqi Electronic Technology Co., Ltd	
	https://www.hq-dz.com phone: 15812872448	
TITLE: USB 3.0 A/F 短体SMT直边 外壳四脚插板		PART NO: USB3.0-C062
DRAWN:		DATE: 18-10-08 UNIT: mm
CHECKED:		DATE: 18-10-08 SCALE: FULL
APPROVED:		DATE: 18-10-08 SIZE: A4