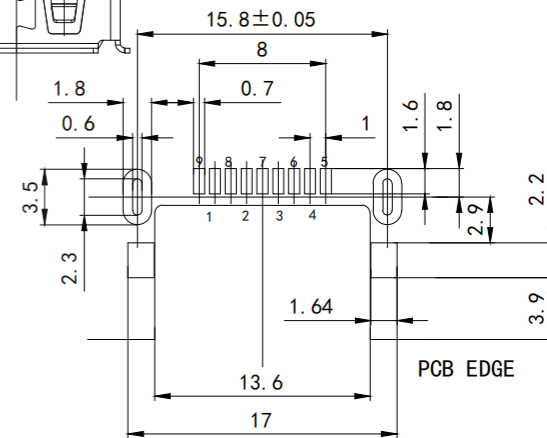
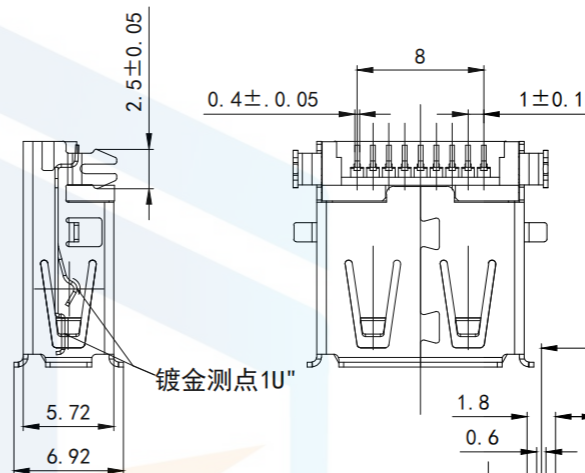
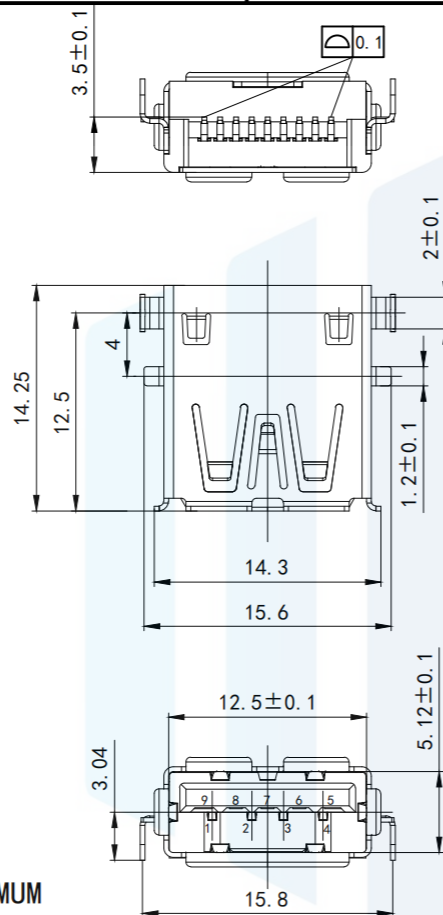


RoHS2.0  
Compliant



- NOTE:
- MATERIAL:
    - INSULATOR: LCP UL 94V-0 蓝色
    - CONTACT: BRONZE (T=0.20mm)
    - SHELL: SUS201 (T=0.30mm)
    - 盐雾24H
  - ELECTRICAL CHARACTERISTICS:
    - CONTACT RESISTANCE: 30mΩ MAXIMUM
    - CONTACT CURRENT RATING: 1.5A
    - DIELECTRIC WITHSTANDING VOLTAGE: 500 V
  - R. M. S.
    - INSULATION RESISTANCE 1000 MEGOHMS MIN
    - OPERATING TEMPERATURE: -40° C ~ 85° C
  - MECHANICAL CHARACTERISTICS:
    - MATING FORCE: 3.57kg MAX
    - UNMATED FORCE: 1.02kg MIN
    - DURABILITY: MANDATORY: 1500 CYCLES
  - PLATING
    - TERMINAL:
      - 50u" MIN NICKEL ALL OVER
      - 100u" MIN Tin ON SOLDER AREA
      - (1)u" Au ON CONTACT AREA
    - SHELL: 100u" MIN. NICEL ALL OVER

<b>TOLERANCE</b>			<b>东莞市恒祺电子科技有限公司</b>		
X. XXX	±0.05		Dongguan Hengqi Electronic Technology Co., Ltd		
X. XX	±0.15	https://www.hq-dz.com		phone: 15812872448	
X. X	±0.20	<b>TITLE:</b>		<b>PART NO:</b> USB3.0-X023	
X.	±0.30	USB3.0 A/F 沉板3.5卷边		<b>DRAWING NO:</b> 15.6*14.25*6.92	
ANGLE	±5.0°	定位鱼叉脚前贴后插L=14.25			
<b>PROTECTON</b>		<b>DRAWN:</b>	<b>DATE:</b>	<b>UNIT:</b>	
		<b>CHECKED:</b>	<b>DATE:</b>	<b>SCALE:</b>	
		<b>APPROVED:</b>	<b>DATE:</b>	<b>SIZE:</b>	
			18-10-08	mm	
			18-10-08	FULL	
			18-10-08	A4	