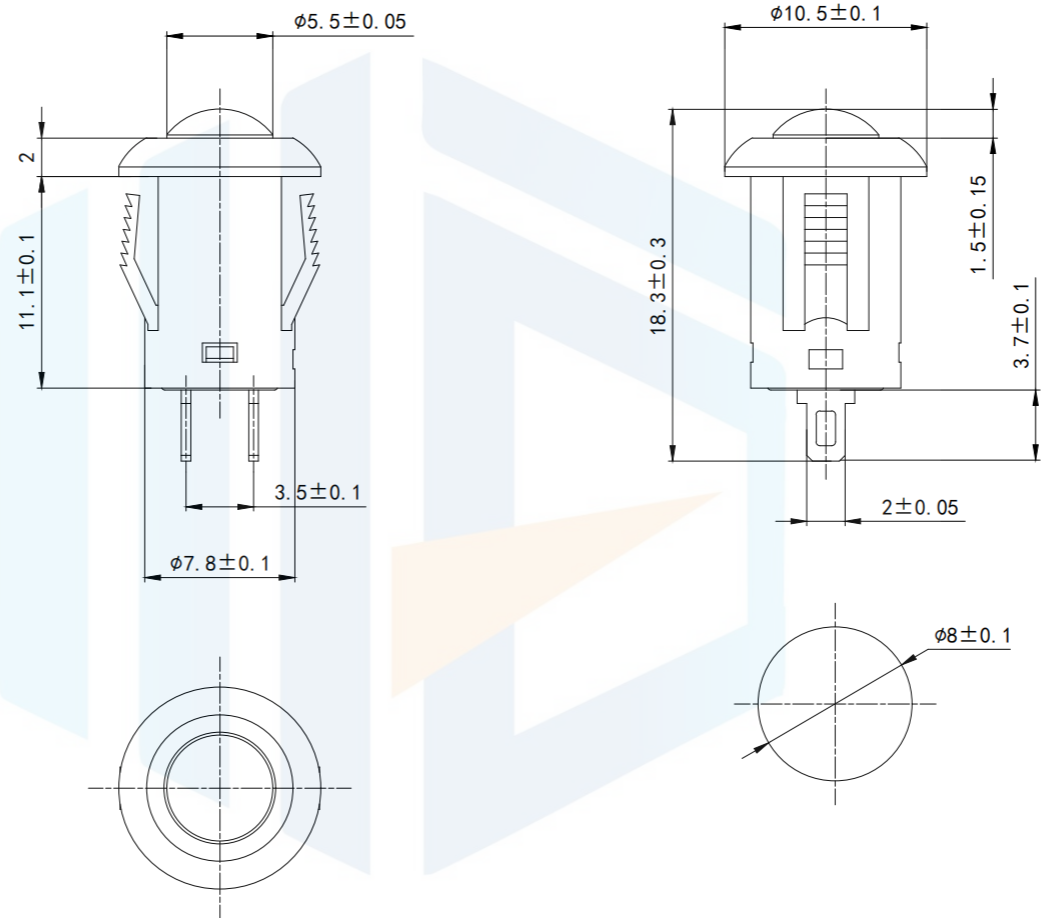


RoHS2.0
Compliant



The Main hchnology

1. Circuit:
2. Rated voltage: 1.5A 250V[~]
Rated current: 3A 125V[~]
3. Insulated resistance: $\geq 100M\Omega$
4. Contact resistance: $\leq 100M\Omega$
5. Dielectric strength: $\geq 500V/5S$
6. Endurance: ≥ 10000 次
7. Ambient temperature: T85

TOLERANCE	X. XXX	± 0.05		东莞市恒祺电子科技有限公司			
	X. XX	± 0.15		Dongguan Hengqi Electronic Technology Co., Ltd			
X. X	± 0.20	https://www.hq-dz.com		phone: 15812872448			
X.	± 0.30	TITLE: 按钮开关		PART NO: PBS-1-4卡式			
ANGLE	$\pm 5.0^\circ$			DRAWING NO: 10.5*18.3			
PROTECTON		DRAWN:		DATE:	18-10-08	UNIT:	mm
		CHECKED:		DATE:	18-10-08	SCALE:	FULL
		APPROVED:		DATE:	18-10-08	SIZE:	A4