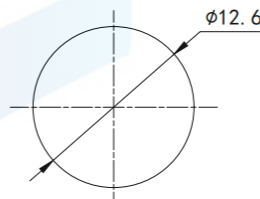
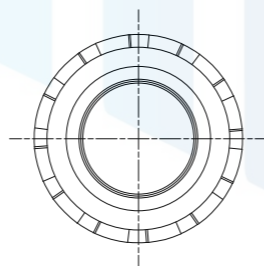
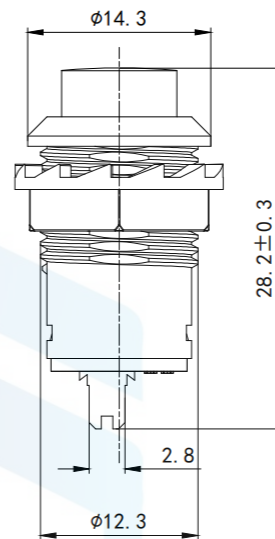
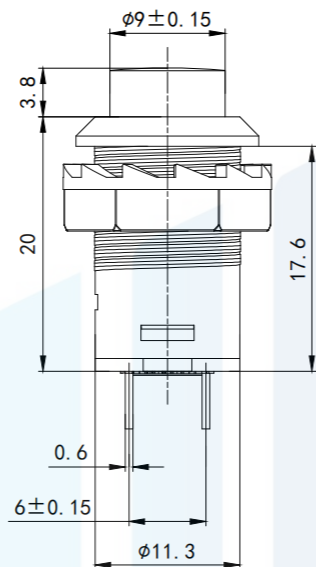


RoHS2.0
Compliant ✓



安装尺寸

The Main hchnology

1. Circuit:
2. Rated voltage: 1A 250V~
Rated current: 2A 125V~
3. Insulated resistance: $\geq 100M\Omega$
4. Contact resistance: $\leq 100M\Omega$
5. Dielectric strength: $\geq 500V/5S$
6. Endurance: ≥ 10000 次
7. Ambient temperature: T85

TOLERANCE	X. XXX	± 0.05		东莞市恒祺电子科技有限公司	
	X. XX	± 0.15		Dongguan Hengqi Electronic Technology Co., Ltd	
X. X	± 0.20		https://www.hq-dz.com		phone: 15812872448
X.	± 0.30		TITLE: 按钮开关		PART NO: PBS-425带螺
ANGLE	$\pm 5.0^\circ$				DRAWING NO: 28.2*4.3
PROTECTON 	DRAWN:		DATE:	18-10-08	UNIT: mm
	CHECKED:		DATE:	18-10-08	SCALE: FULL
	APPROVED:		DATE:	18-10-08	SIZE: A4