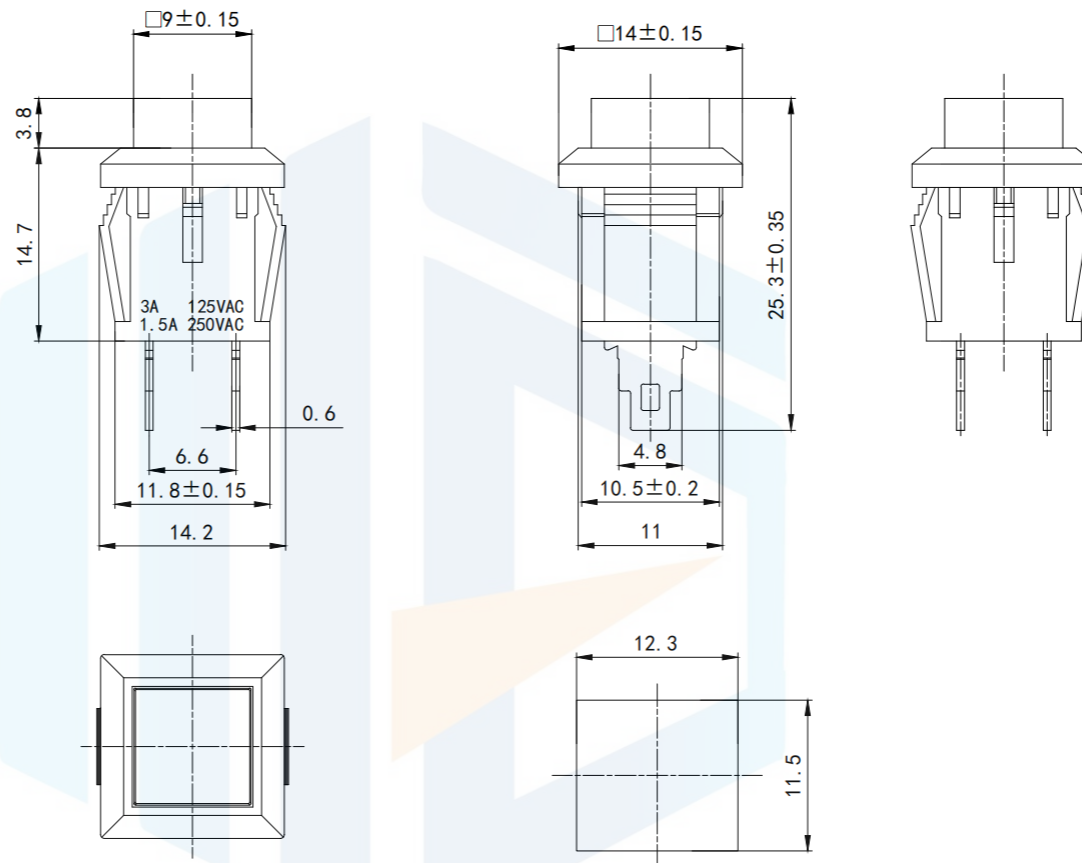


RoHS2.0  
Compliant



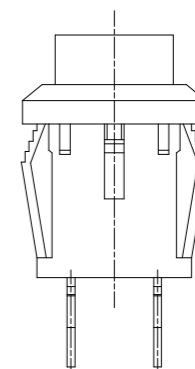
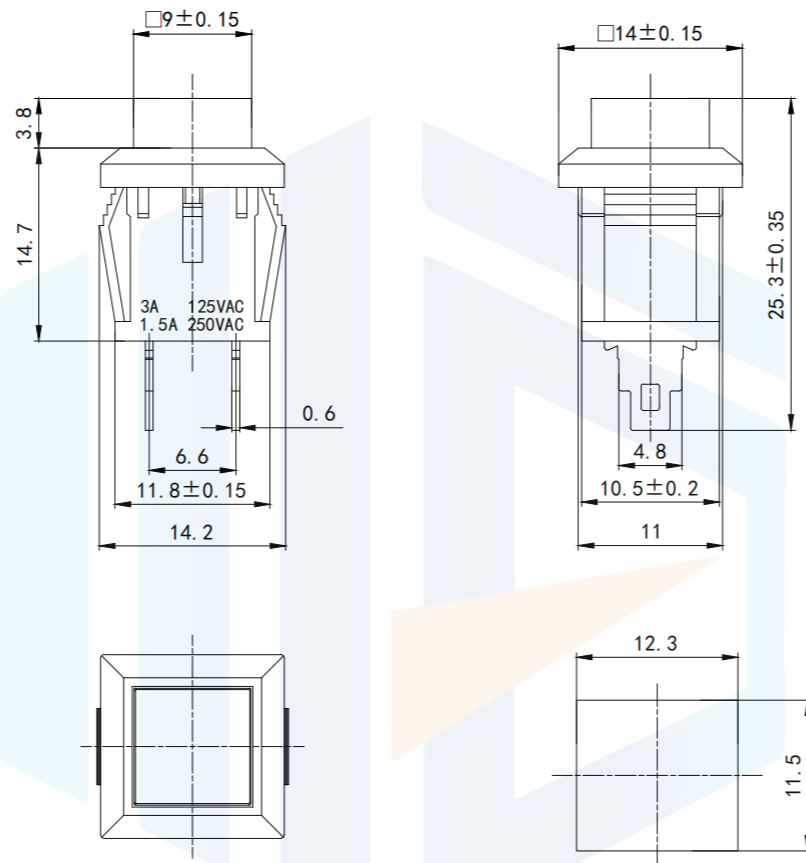
安装尺寸

The Main hchnology

1. Circuit:
2. Rated voltage: 1.5A 250V<sup>~</sup>  
Rated current: 3A 125VAC<sup>~</sup>
3. Insulated resistance:  $\geq 100M\Omega$
4. Contact resistance:  $\leq 100M\Omega$
5. Dielectric strength:  $\geq 500V/5S$
6. Endurance:  $\geq 10000$ 次
7. Ambient temperature: T85

TOLERANCE	X. XXX	±0.05		东莞市恒祺电子科技有限公司		
	X. XX	±0.15		Dongguan Hengqi Electronic Technology Co., Ltd		
X. X	±0.20		https://www.hq-dz.com		phone:15812872448	
X.	±0.30		TITLE: 按钮开关		PART NO:PBS-13A按断	
ANGLE	±5.0°				DRAWING NO:14*25.3	
PROTECTON		DRAWN:		DATE:	18-10-08	UNIT: mm
		CHECKED:		DATE:	18-10-08	SCALE: FULL
		APPROVED:		DATE:	18-10-08	SIZE: A4

RoHS2.0  
Compliant



安装尺寸

The Main hchnology

1. Circuit:
2. Rated voltage: 1.5A 250V<sup>~</sup>  
Rated current: 3A 250VAC<sup>~</sup>
3. Insulated resistance:  $\geq 100M\Omega$
4. Contact resistance:  $\leq 100M\Omega$
5. Dielectric strength:  $\geq 500V/5S$
6. Endurance:  $\geq 10000$ 次
7. Ambient temperature: T85

TOLERANCE	X. XXX	±0.05		东莞市恒祺电子科技有限公司		
	X. XX	±0.15		Dongguan Hengqi Electronic Technology Co., Ltd		
X. X	±0.20		https://www.hq-dz.com		phone: 15812872448	
X.	±0.30		TITLE: 按钮开关		PART NO: PBS-13A接通	
ANGLE	±5.0°				DRAWING NO: 14*25.3	
PROTECTON		DRAWN:		DATE:	18-10-08	UNIT: mm
		CHECKED:		DATE:	18-10-08	SCALE: FULL
		APPROVED:		DATE:	18-10-08	SIZE: A4