

RoHS2.0
Compliant

Specifications:

Electrical:

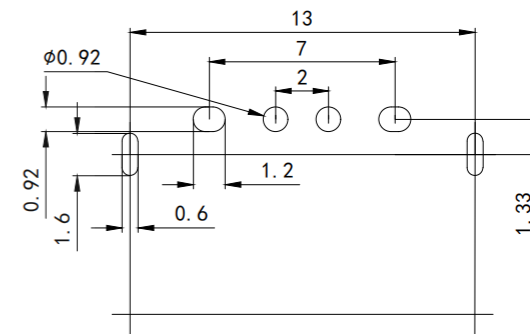
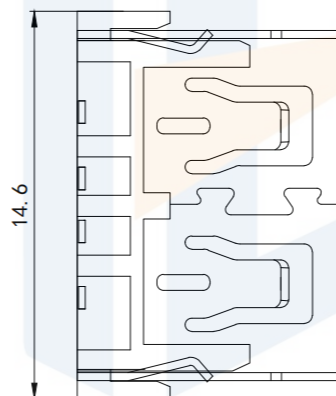
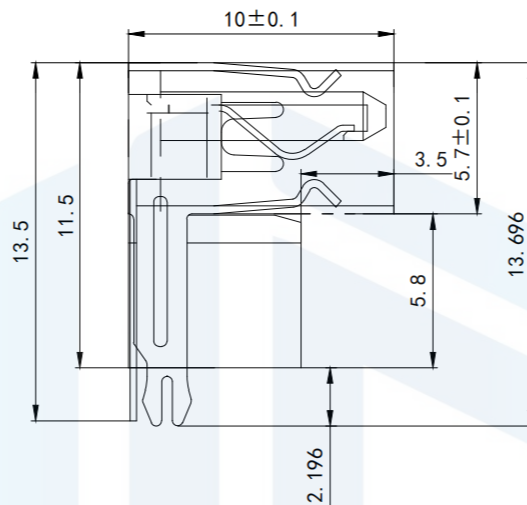
1. Current Rating
3.0A/contact termina
2. Voltage Rating
30V DC
3. Contact RESISTANCE
30 milliohms MAX
4. Dielectric Withstanding Voltage:
500 V AC AT Sea Level
5. Insulation Resistance:
1000MEGA ohms MIN

Mechanical:

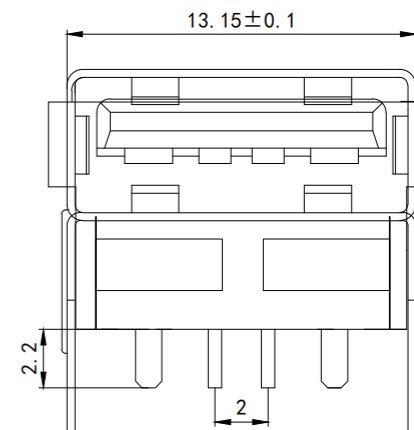
1. Connector Mate and Unmate Force
Mate force: 3.57kgf (MAX)
Unmate force: 1.02kgf (MIN)
2. Terminal Retention
1.0kgf (MIN)

Material:

1. Housing:
Hing Temperature Ternmaplastics,
 2. Contact: Copper Alloy C2680
 3. Shell: SPCG
- Finish:
1. Contact: Plated Gold in Mating Area
Tin On Solder Talls
- 50U(MIN) nickel is plated around the terminal, half gold tin 1U
2. Burning :Shell: 80U "(MIN) nickel is plated around the shell
- Nickel Plating



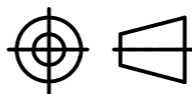
RECOMMENDED P. C. B LAYOUT



TOLERANCE

X. XXX	±0.05
X. XX	±0.15
X. X	±0.20
X.	±0.30
ANGLE	±5.0°

PROTECTON



东莞市恒祺电子科技有限公司

Dongguan Hengqi Electronic Technology Co., Ltd

<https://www.hq-dz.com>

phone: 15812872448

TITLE:

USB2.0短体10.0后脚直边
90度11.5高 大电流

PART NO: USB2.0-B115

DRAWING NO: 11.5*10.0*5.7

DRAWN:

DATE: 18-10-08

UNIT:
mm

CHECKED:

DATE: 18-10-08

SCALE:
FULL

APPROVED:

DATE: 18-10-08

SIZE:
A4