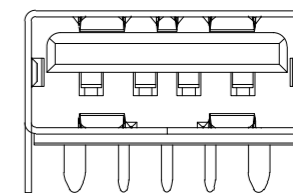
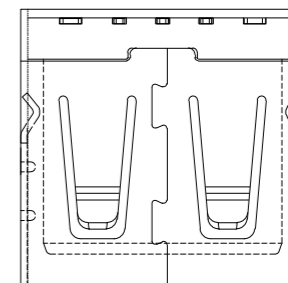
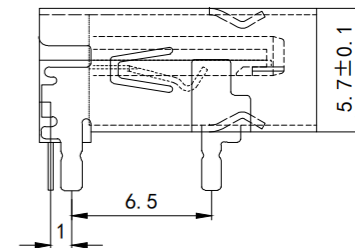
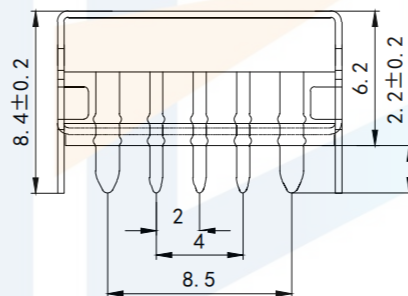
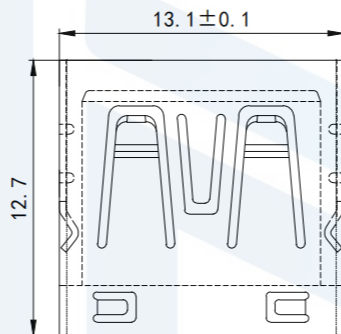
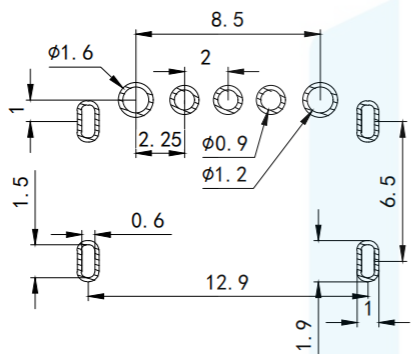


RoHS2.0
Compliant



Specifications: Specifications:

Electrical: Electrical:

1. Rated Current :Current Rating3.0A/contact terminal
2. Rated Voltage :Voltage Rating30V DO
3. Contact impedance :Contact Resistance30 milliohms MAX
4. Pressure :Dielectnic Withstanding Voltage:300 V AC AT Sea Level
5. Insulation impedance :Insulation Resistance: 1000MEGA ohms MN

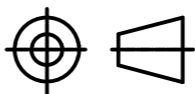
Mechanical: Mechanical:

1. Add :Cnnector Mate and Unmate ForceMate force:3.0kgf (MAX) Unmate force:0.7kgf (MIN)
 2. Terminal retenion Holding Force :Terminal Retention1.2kgf (MIN)
- Raw material :Matorial:
1. Plastic :Housing:Hing Temperature TnermaplasticsUI94V-0 PA66 Green/Red
 2. Good :Contact:Copper Alloy C2680
- Electroplating :Finish:
1. :Contact: Piated Gold in Mating Area,Tin On Solder
 2. Burn :Shell:

TOLERANCE

X. XXX	±0.05
X. XX	±0.15
X. X	±0.20
X.	±0.30
ANGLE	±5.0°

PROTECTON



东莞市恒祺电子科技有限公司

Dongguan Hengqi Electronic Technology Co., Ltd

<https://www.hq-dz.com>

phone:15812872448

TITLE:

USB A/F OPPO 5P 90度大电流

PART NO:USB2.0-B005

DRAWING NO:13.1*12.7*5.7

DRAWN:

DATE:

18-10-08

UNIT:
mm

CHECKED:

DATE:

18-10-08

SCALE:
FULL

APPROVED:

DATE:

18-10-08

SIZE:
A4