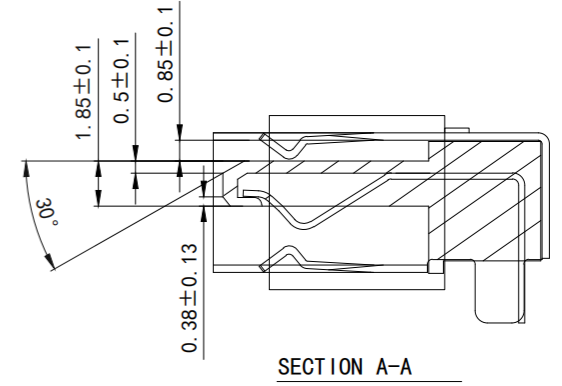
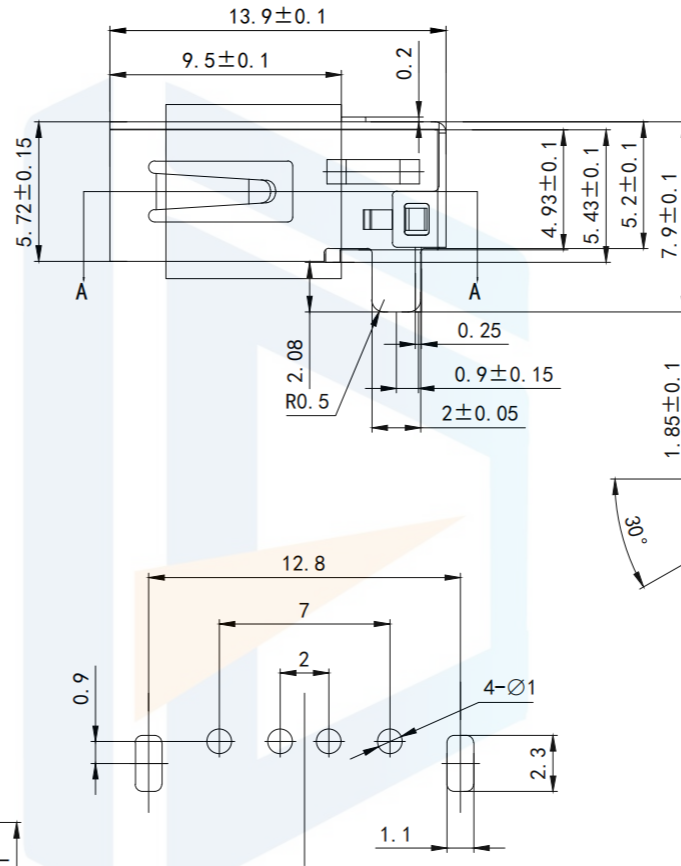
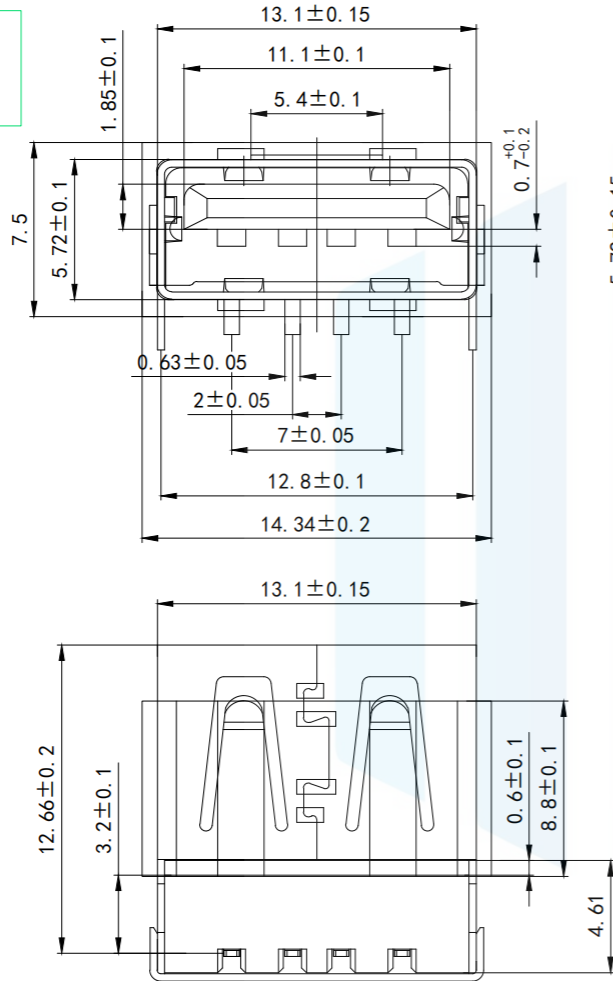


RoHS2.0  
Compliant



Technical Requirements:

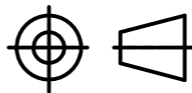
- Electrical performance
  - Rated current 2.1A.
  - Rated voltage: 20V.
  - Withstand voltage: 500 V(AC) for 1 min.
  - Contact impedance: 30mΩMax.  
The impedance change after reliability and environmental testing must not exceed 10mΩ.
  - Insulation resistance: 1000 MΩMin.
- Mechanical properties
  - INSERTION FORCE: 20N MAX. PULL-OUT FORCE: 10-20N
  - Life test 5000cycles, pull-out force 10N min.
  - Thrust: 70N min.
  - Peel strength: 100N min.
  - Twist intensity: 1Nm
- Plating requirements
  - Thickness of the gold-plated area of the terminal is 1u" min.
- Material requirements
  - Core Material: UI 94V-0 LCP E1301 Black
  - Housing material: SUS304 T=0.3
  - Terminal material: C5191-H T=0.25
- Salt spray requirement: 24H
- Working temperature: -20° C-85° C

P.C.B. LAYOUT

TOLERANCE

X. XXX	±0.05
X. XX	±0.15
X. X	±0.20
X.	±0.30
ANGLE	±5.0°

PROTECTON



东莞市恒祺电子科技有限公司  
Dongguan Hengqi Electronic Technology Co., Ltd

<https://www.hq-dz.com>

phone:15812872448

TITLE:

USB A/F DIP90度有后盖外扣式  
带护套

PART NO:USB2.0-A139

DRAWING NO:13.1\*12.66\*5.72

DRAWN:

DATE: 18-10-08

UNIT:  
mm

CHECKED:

DATE: 18-10-08

SCALE:  
FULL

APPROVED:

DATE: 18-10-08

SIZE:  
A4