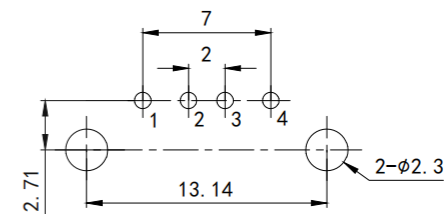
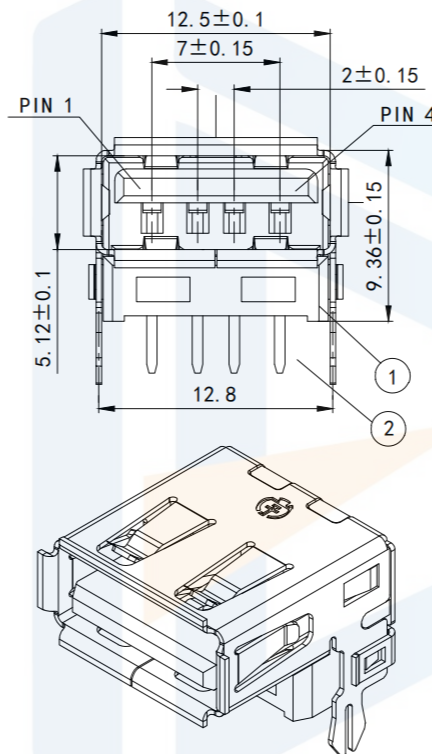
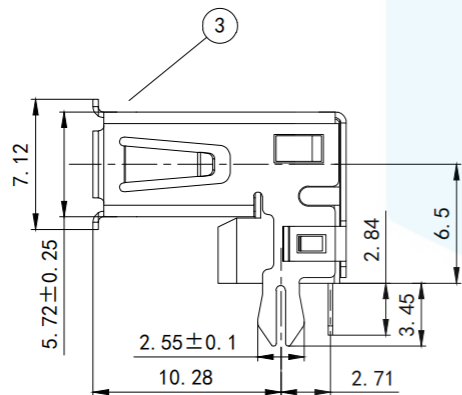
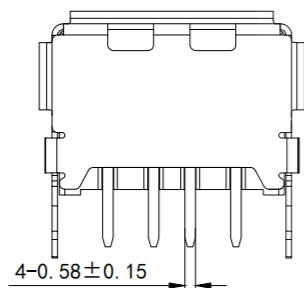
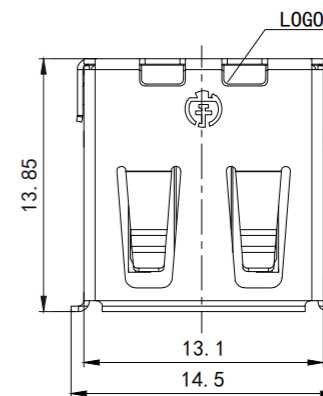


RoHS2.0  
Compliant



PCB HOLES (TOP VIEW)  $t=1.6\text{mm}$   
NOTE: GENERAL TOLERANCE:  $\pm 0.1\text{mm}$



NOTE:

MATERIAL SPECIFICATION:

1. HOUSING PA9T UL94 V0. COLOR IVORY
2. CONTACTS: COPPER ALLOY
3. SHELL: SPCC

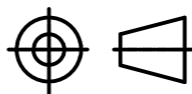
SPECIFICATIONS:

Contact current Rating: 1 Amperes  
Dielectric Withstanding Voltage: AC  
100V (RMS) Insulation resistance: 100 Megohms Minimum.  
Contact Resistance:  
30m ohm Max for pin1~pin4  
50m ohm Max for other contacts  
Mechanical Characteristics:  
Mating Force: 35 Newtons. Maximum  
Unmating Force: 10 Newtons. Minimum  
8N Min After Durability  
DURABILITY: MANDATORY: 1500 CYCLES

TOLERANCE

X. XXX	$\pm 0.05$
X. XX	$\pm 0.15$
X. X	$\pm 0.20$
X.	$\pm 0.30$
ANGLE	$\pm 5.0^\circ$

PROTECTON



东莞市恒祺电子科技有限公司

Dongguan Hengqi Electronic Technology Co., Ltd

<https://www.hq-dz.com>

phone: 15812872448

TITLE:

USB A/F板上DIP基座垫高CH=6.5

PART NO: USB2.0-A113

DRAWING NO: 14.5\*13.85\*7.12

DRAWN:

DATE: 18-10-08

UNIT:  
mm

CHECKED:

DATE: 18-10-08

SCALE:  
FULL

APPROVED:

DATE: 18-10-08

SIZE:  
A4